



530 Main Street, Acton, MA 01720

**Phone:** (978)263-3584, **Fax:** (978)263-5086

**Web Site:** [www.acton-research.com](http://www.acton-research.com)

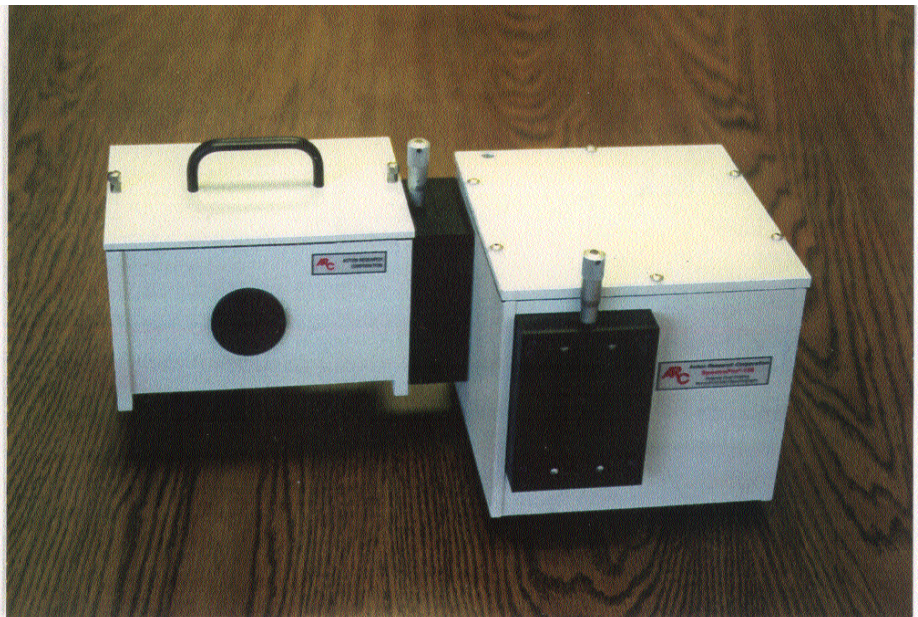
**Operating Instructions  
for  
SC-447  
Sample Chamber**





**SC-447 Sample Chamber mounted on the exit slit of the SpectraPro-150 scanning monochromator.**

**The SC-447 is compatible with all SpectraPro series monochromators and spectrographs (mounts to the standard slit assembly)**



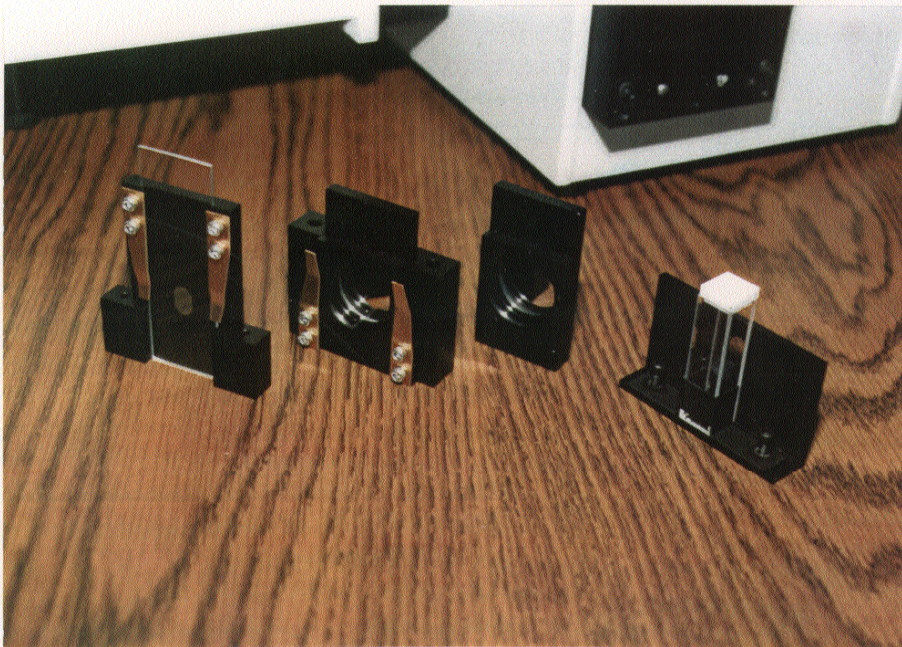
**Standard Sample Holders (shown from left to right)**

**447-3 Fixed Position Microscope Slide Holder**

**447-2 Fixed Position Mount with Removable Sample Holder for 1.0" (25.4mm) Diameter Samples**

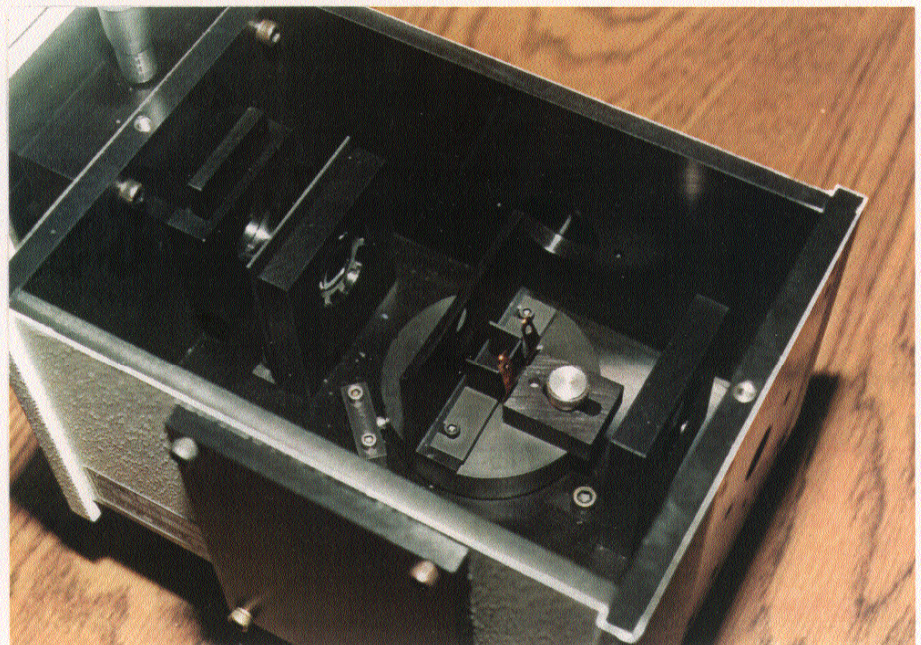
**447-2A Additional 1.0" (25.4mm) Sample Holder**

**447-1 General Purpose Holder, shown with standard 10mm path length cuvette.**

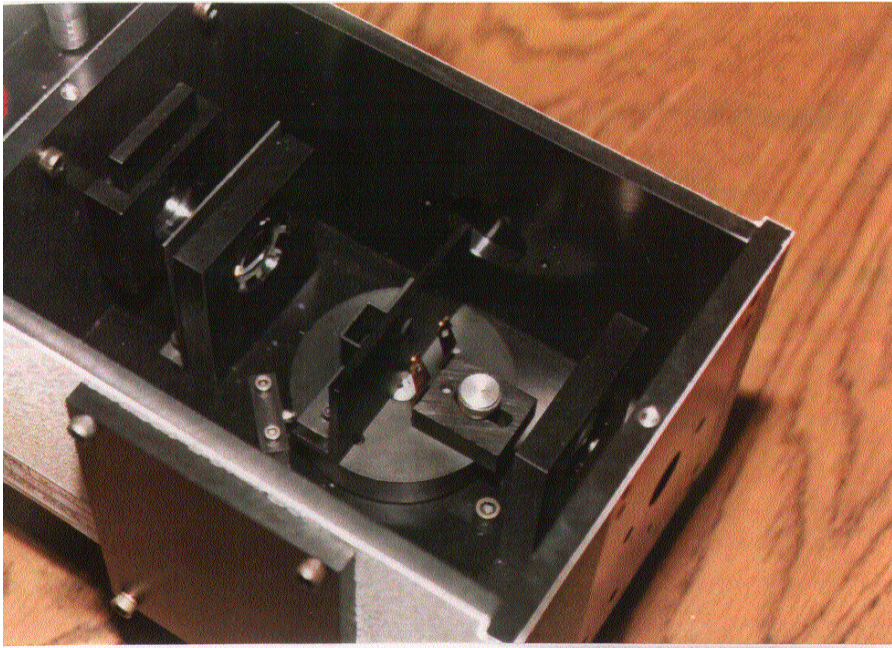


**SC-447 Sample Chamber with the 447-1 General Purpose Holder set up for standard 10mm path length cuvettes.**

**Notice the optical configuration (from left to right) showing the monochromator exit slit, order sorting filter holder, first quartz lens, 447-1 general purpose holder mounted on a rotary carousel, a second quartz lens, and the sample chamber output port with tapped holes for mounting detector assemblies.**





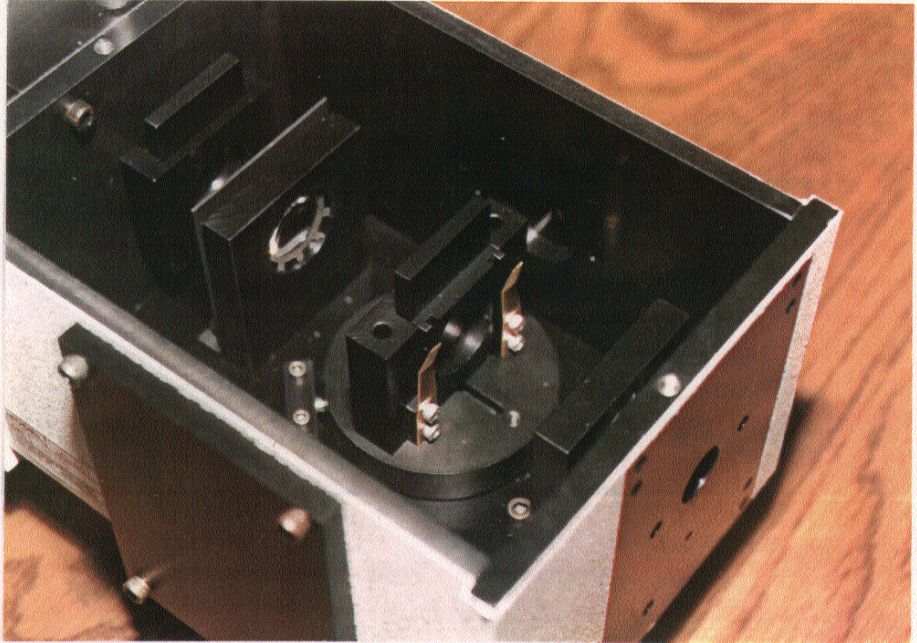


**Inside view of the SC-447 showing the 447-1 general purpose sample holder turned around to accept solid samples up to 50x50x10mm.**

**Notice the "spring clip" style holders mounted on the adjustable sliding block to hold solid samples securely in position.**



**SC-447 with the 447-2 fixed position mount and removable sample holder for 1.0" (25.4mm) diameter samples.**



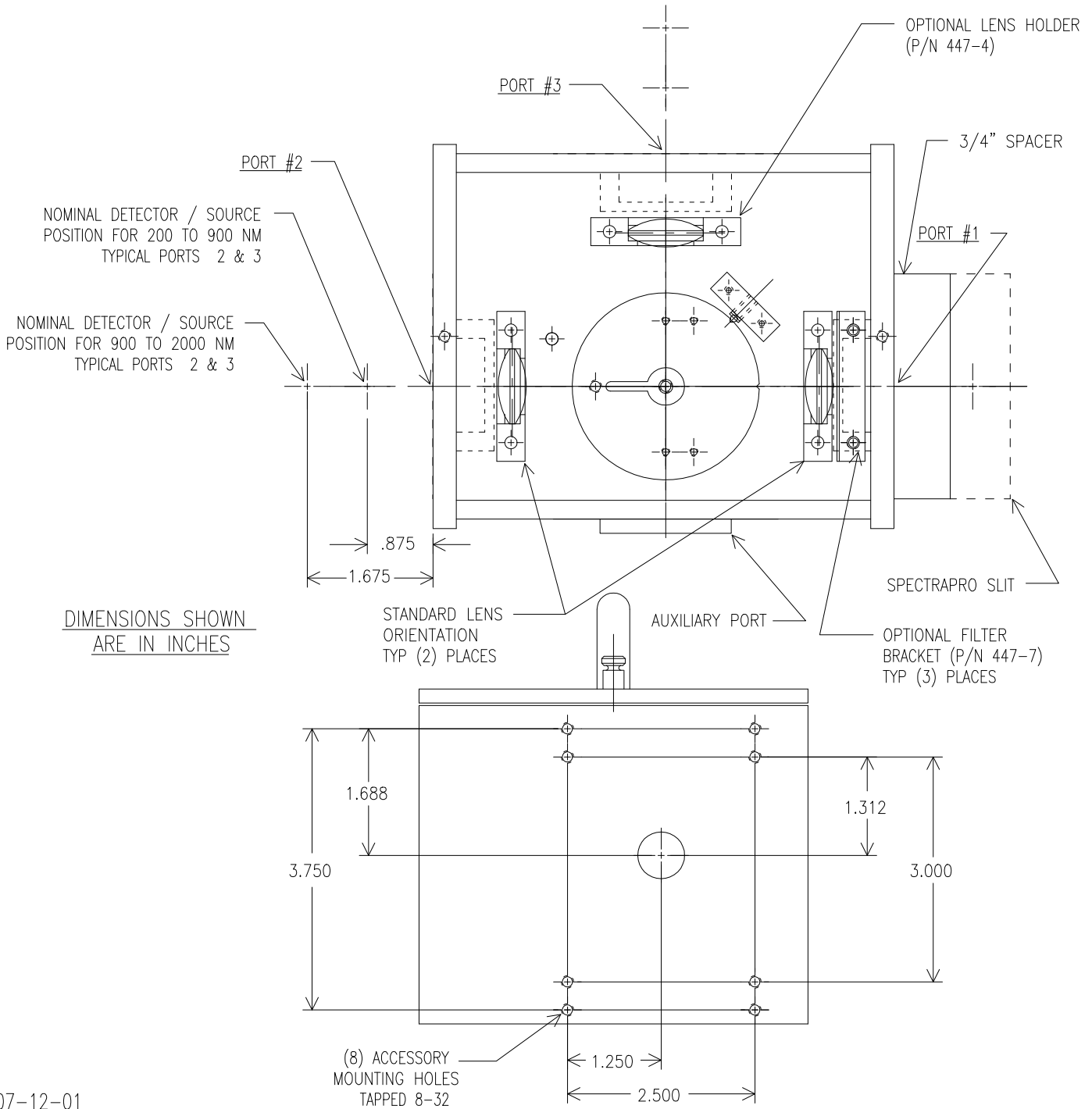
**The 447-2A sample holder being removed from the fixed position mount.**

**The sample holder is designed for easy insertion and removal, for fast, convenient sample changing.**



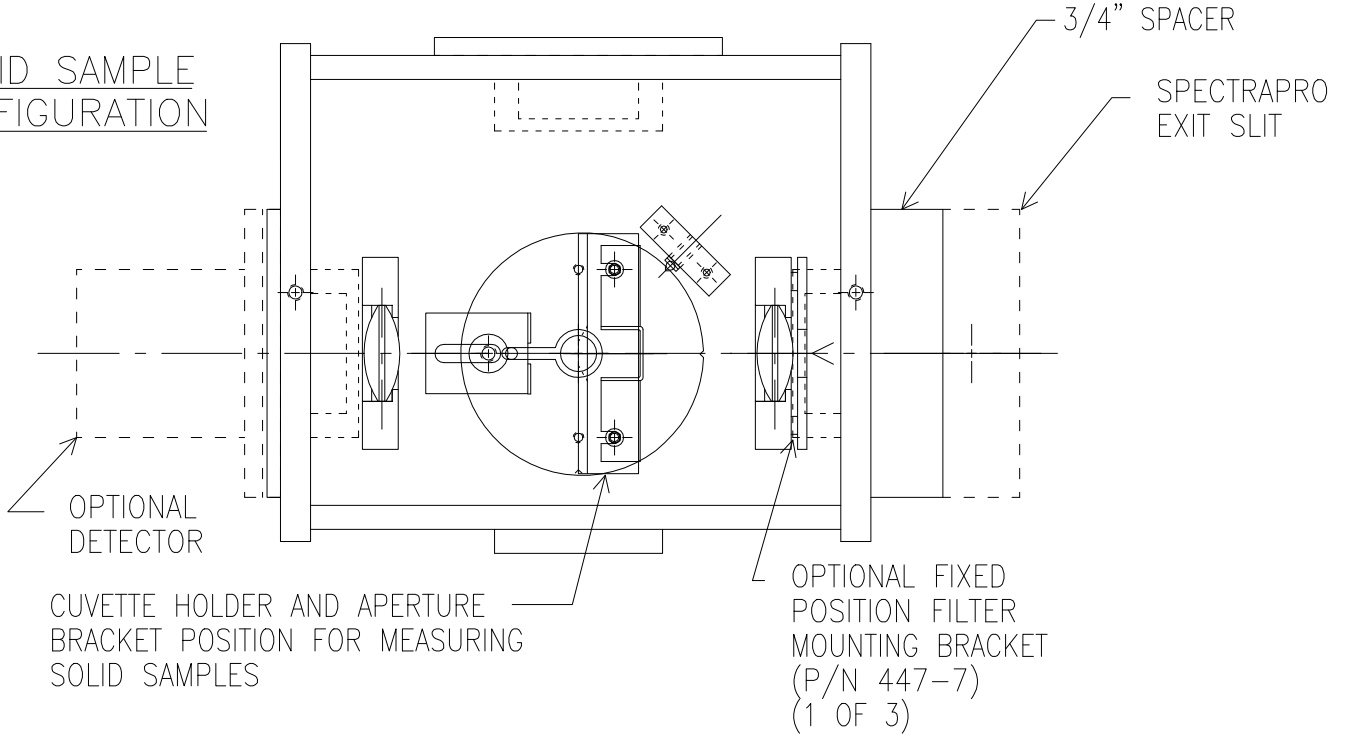


MODEL SC-447 SAMPLE CHAMBER  
 DETECTOR / SOURCE POSITION AND  
 ACCESSORY HOLE LOCATIONS  
 FOR PORTS 2 & 3



MODEL 447-1 GENERAL PURPOSE SAMPLE HOLDER  
 CUVETTE HOLDER AND APERTURE BRACKET POSITIONS  
 IN MODEL SC-447 SAMPLE CHAMBER

SOLID SAMPLE CONFIGURATION



CUVETTE SAMPLE CONFIGURATION

