

# ***256Mb DDR SDRAM Specification***

---

---

**A2S56D20CTP**

**A2S56D30CTP**

**A2S56D40CTP**

---

---



**PSC** Powerchip Semiconductor Corp.

No.12, Li-Hsin Rd.1, Science-based Industrial Park, Hsin-Chu

Taiwan, R.O.C.

TEL: 886-3-5795000

FAX: 886-3-5792168

# 256Mb DDR Synchronous DRAM

A2S56D20CTP (4-bank x 16,777,216 - word x 4-bit)

A2S56D30CTP (4-bank x 8,388,608 - word x 8-bit)

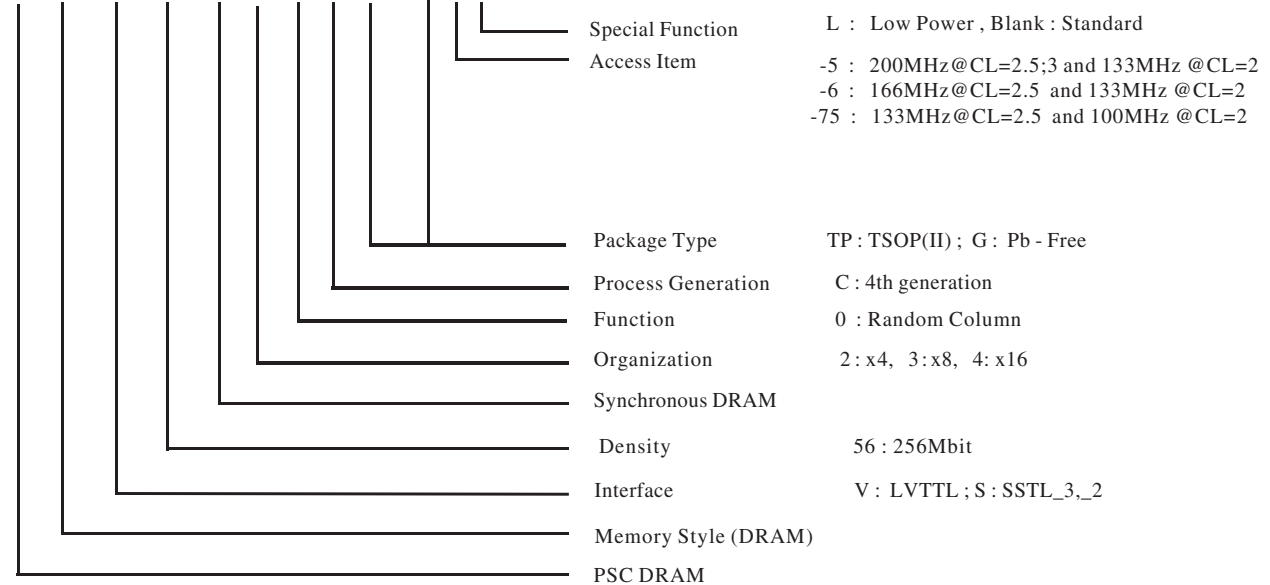
A2S56D40CTP (4-bank x 4,194,304 - word x 16-bit)

## ORDERING INFORMATION

Frequency	Speed(ns)	Order Part Number					Package
		Type	Standard	Low Power	Pb-Free	Low Power and Pb-Free	
200MHz	5	A2S56D20/30/40 CTP	-5	-5L	-G5	-G5L	400mil TSOP-2
166MHz	6	A2S56D20/30/40 CTP	-6	-6L	-G6	-G6L	400mil TSOP-2
133MHz	7.5	A2S56D20/30/40 CTP	-75	-75L	-G75	-G75L	400mil TSOP-2

## Type Designation Code

A 2 S 56 D 3 0 C TP - G 5 L



# 256Mb DDR Synchronous DRAM

A2S56D20CTP (4-bank x 16,777,216 - word x 4-bit)

A2S56D30CTP (4-bank x 8,388,608 - word x 8-bit)

A2S56D40CTP (4-bank x 4,194,304 - word x 16-bit)

## 256Mb Double Data Rate Synchronous DRAM

### A2S56D20/30/40 CTP

#### DESCRIPTION

A2S56D20CTP is a 4-bank x 16,777,216-word x 4-bit,  
 A2S56D30CTP is a 4-bank x 8,388,608-word x 8bit,  
 A2S56D40CTP is a 4-bank x 4,194,304-word x 16bit double  
 data rate synchronous DRAM , with SSTL\_2 interface.  
 All control and address signals are referenced to the rising  
 edge of CLK.

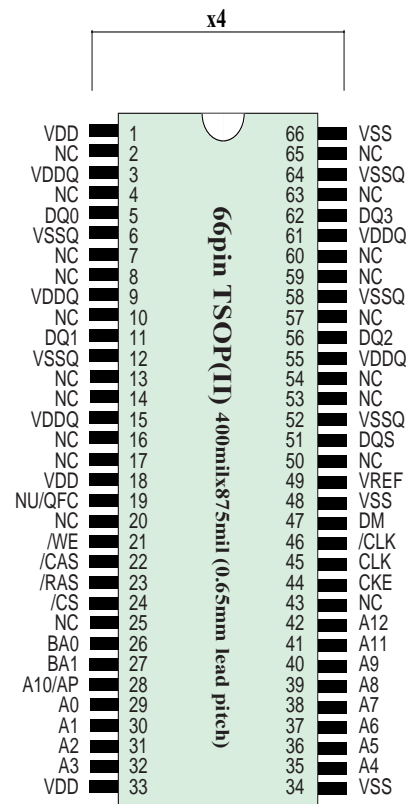
Input data is registered on both edges of data strob ,  
 and output data and data strobe are referenced on  
 both edges of CLK.

The A2S56D20/30/40 CTP achieves very high speed clock  
 rate up to 200 MHz .

#### FEATURES

- Vdd=Vddq=2.5V ± 0.2V power supply for -6,-75.
- Vdd=Vddq=2.6V ± 0.1V power supply for -5.
- Double data rate architecture ; two data transfers per clock cycle.
- Bidirectional , data strob (DQS) is transmitted/received with data
- Differential clock input (CLK and /CLK)
- DLL aligns DQ and DQS transitions with CLK transitions edges of DQS
- Commands entered on each positive CLK edge ;
- Data and data mask referenced to both edges of DQS
- 4 bank operation controlled by BA0 , BA1 (Bank Address)
- /CAS latency - 2.0 / 2.5/ 3 (programmable) ;  
 Burst length - 2 / 4 / 8 (programmable)  
 Burst type - Sequential / Interleave (programmable)
- Auto precharge / All bank precharge controlled by A10
- 8192 refresh cycles / 64ms (4 banks concurrent refresh)
- Auto refresh and Self refresh
- Row address A0-12 / Column address A0-9 , 11(x4) / A0-9(x8)  
 /A0-8(x16)
- SSTL\_2 Interface
- Package  
 400-mil, 66-pin Thin Small Outline Package (TSOP II)  
 with 0.65mm lead pitch
- JEDEC standard for -6 , -75
- Intel standard for -5

PIN CONFIGURATION  
(TOP VIEW)



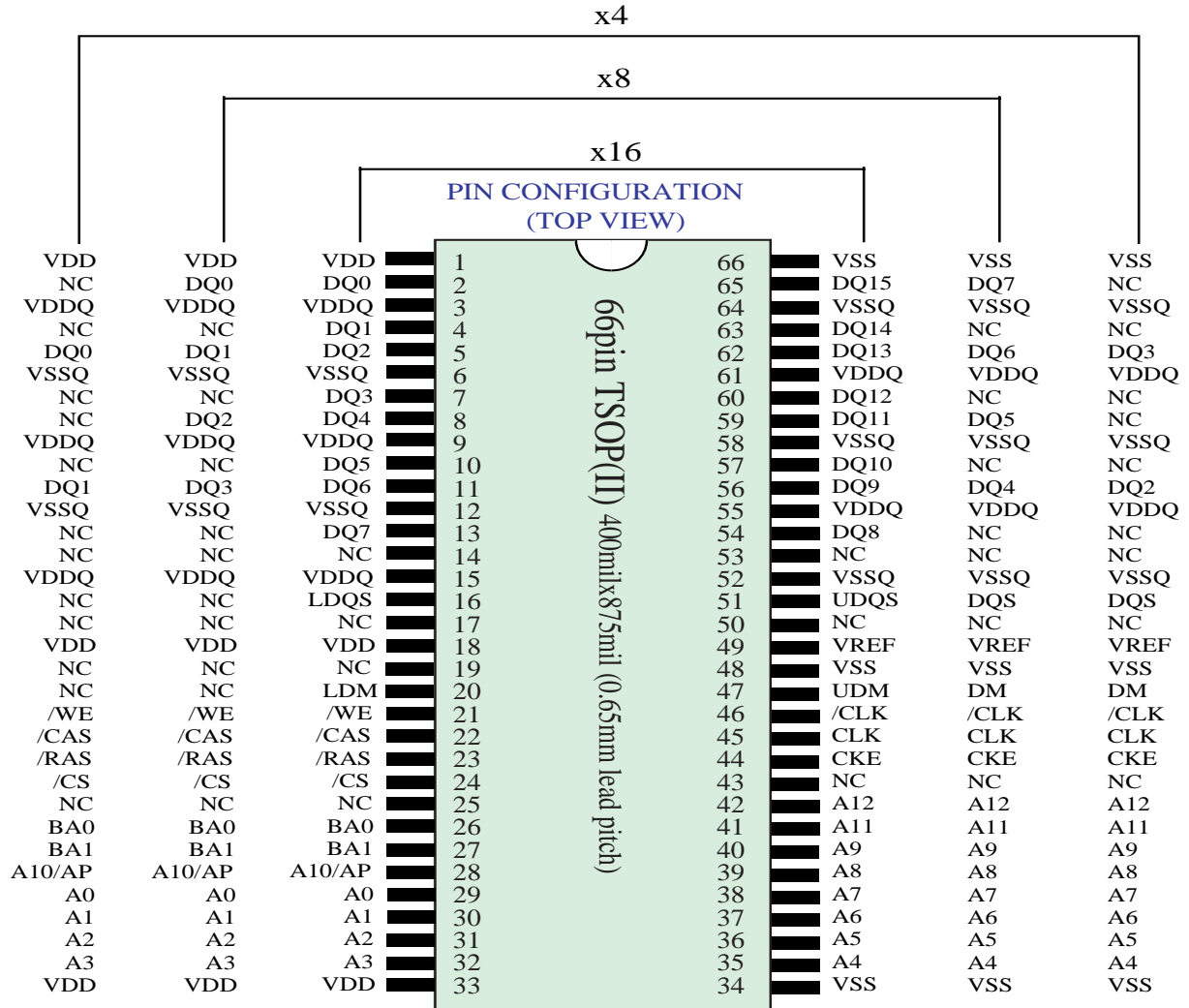
# 256Mb DDR Synchronous DRAM

A2S56D20CTP (4-bank x 16,777,216 - word x 4-bit)

A2S56D30CTP (4-bank x 8,388,608 - word x 8-bit)

A2S56D40CTP (4-bank x 4,194,304 - word x 16-bit)

## PIN CONFIGURATION (TOP VIEW)



CLK,/CLK : Master Clock  
 CKE : Clock Enable  
 /CS : Chip Select  
 /RAS : Row Address Strobe  
 /CAS : Column Address Strobe  
 /WE : Write Enable  
 DQ0-7 : Data I/O  
 DQS : Data Strobe  
 DM : Write Mask  
 Vref : Reference Voltage

A0-12 : Address Input  
 BA0,1 : Bank Address Input  
 Vdd : Power Supply  
 VddQ : Power Supply for Output  
 Vss : Ground  
 VssQ : Ground for Output

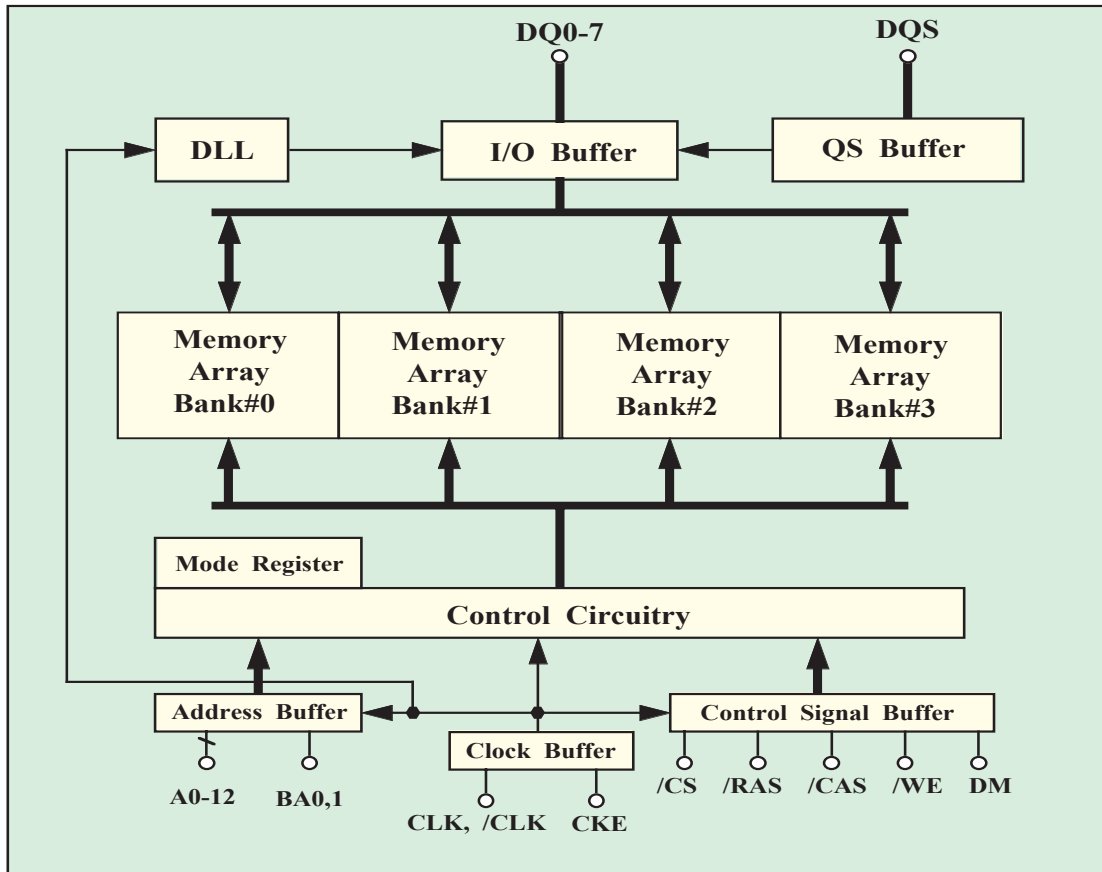
# 256Mb DDR Synchronous DRAM

A2S56D20CTP (4-bank x 16,777,216 - word x 4-bit)

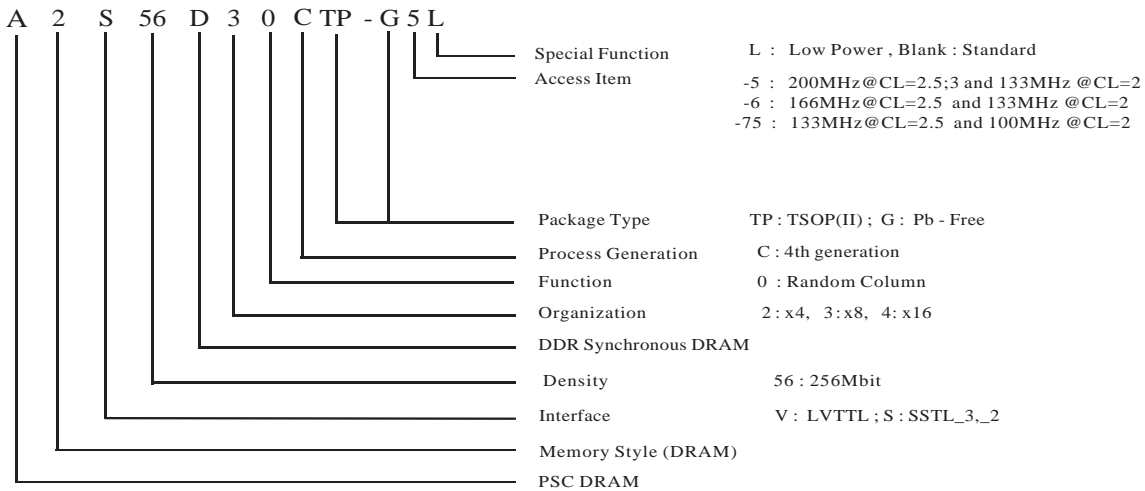
A2S56D30CTP (4-bank x 8,388,608 - word x 8-bit)

A2S56D40CTP (4-bank x 4,194,304 - word x 16-bit)

## BLOCK DIAGRAM



## Type Designation Code



## **256Mb DDR Synchronous DRAM**

**A2S56D20CTP (4-bank x 16,777,216 - word x 4-bit)**

**A2S56D30CTP (4-bank x 8,388,608 - word x 8-bit)**

**A2S56D40CTP (4-bank x 4,194,304 - word x 16-bit)**

### **PIN FUNCTION**

SYMBOL	TYPE	DESCRIPTION
CLK,/CLK	Input	Clock: CLK and /CLK are differential clock inputs. All address and control input signals are sampled on the crossing of the positive edge of CLK and negative edge of /CLK. Output (read) data is referenced to the crossings of CLK and /CLK (both directions of crossing).
CKE	Input	Clock Enable: CKE controls internal clock. When CKE is low, internal clock for the following cycle is ceased. CKE is also used to select auto / self refresh. After self refresh mode is started, CKE becomes asynchronous input. Self refresh is maintained as long as CKE is low.
/CS	Input	Chip Select: When /CS is high, any command means No Operation.
/RAS, /CAS, /WE	Input	Combination of /RAS, /CAS, /WE defines basic commands.
A0-12	Input	A0-12 specify the Row / Column Address in conjunction with BA0,1. The Row Address is specified by A0-12. The Column Address is specified by A0-9,11(x4),A0-9(x8) and A0-8(x16). A10 is also used to indicate precharge option. When A10 is high at a read / write command, an auto precharge is performed. When A10 is high at a precharge command, all banks are precharged.
BA0,1	Input	Bank Address: BA0,1 specifies one of four banks to which a command is applied. BA0,1 must be set with ACT, PRE, READ, WRITE commands.
DQ0-7(x8), DQ0-3(x4)	Input / Output	Data Input/Output: Data bus
DQS	Input / Output	Data Strobe: Output with read data, input with write data. Edge-aligned with read data, centered in write data. Used to capture write data.
DM	Input	Input Data Mask: DM is an input mask signal for write masked when DM is sampled HIGH along with that input data during a WRITE access. DM is sampled on both edges of DQS. Although DM pins are input only, the DM loading matches the DQ and DQS loading.
Vdd, Vss	Power Supply	Power Supply for the memory array and peripheral circuitry.
VddQ, VssQ	Power Supply	VddQ and VssQ are supplied to the Output Buffers only.
Vref	Input	SSTL_2 reference voltage.

## BASIC FUNCTIONS

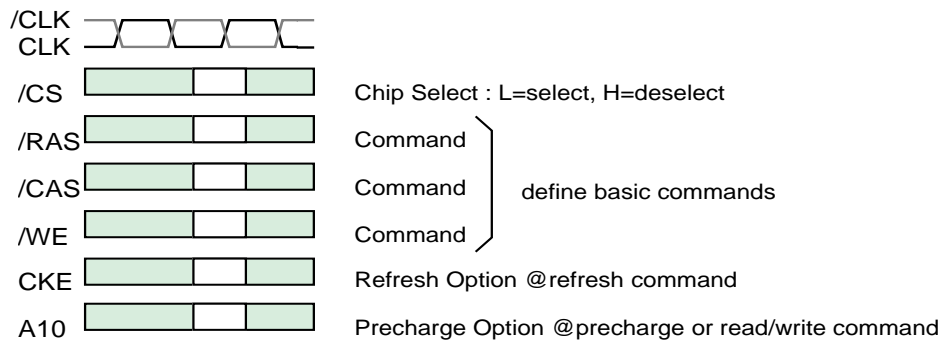
The A2S56D20/30/40 CTP provides basic functions, bank (row) activate, burst read / write, bank (row) precharge, and auto / self refresh.

Each command is defined by control signals of /RAS, /CAS and /WE at CLK rising edge.

In addition to 3 signals, /CS, CKE and A10 are

used as chip select, refresh option, and precharge option, respectively.

To know the detailed definition of commands, please see the command truth table.



### Activate (ACT) [/RAS =L, /CAS =/WE =H]

ACT command activates a row in an idle bank indicated by BA.

### Read (READ) [/RAS =H, /CAS =L, /WE =H]

READ command starts burst read from the active bank indicated by BA. First output data appears after /CAS latency. When A10 =H at this command, the bank is deactivated after the burst read (auto-precharge, **READA**).

### Write (WRITE) [/RAS =H, /CAS =/WE =L]

WRITE command starts burst write to the active bank indicated by BA. Total data length to be written is set by burst length. When A10 =H at this command, the bank is deactivated after the burst write (auto-precharge, **WRITEA**).

### Precharge (PRE) [/RAS =L, /CAS =H, /WE =L]

PRE command deactivates the active bank indicated by BA. This command also terminates burst read / write operation. When A10 =H at this command, all banks are deactivated (precharge all, **PREA**).

### Auto-Refresh (REFA) [/RAS =/CAS =L, /WE =CKE =H]

REFA command starts auto-refresh cycle. Refresh address including bank address are generated internally. After this command, the banks are precharged automatically.

## COMMAND TRUTH TABLE

COMMAND	MNEMONIC	CKE <sub>n-1</sub>	CKE <sub>n</sub>	/CS	/RAS	/CAS	/WE	BA0,1	A10 /AP	A0-9, 11-12	note
Deselect	DESEL	H	H	H	X	X	X	X	X	X	
No Operation	NOP	H	H	L	H	H	H	X	X	X	
Row Address Entry & Bank Activate	ACT	H	H	L	L	H	H	V	V	V	
Single Bank Precharge	PRE	H	H	L	L	H	L	V	L	X	
Precharge All Banks	PREA	H	H	L	L	H	L	X	H	X	
Column Address Entry & Write	WRITE	H	H	L	H	L	L	V	L	V	
Column Address Entry & Write with Auto-Precharge	WRITEA	H	H	L	H	L	L	V	H	V	
Column Address Entry & Read	READ	H	H	L	H	L	H	V	L	V	
Column Address Entry & Read with Auto-Precharge	READA	H	H	L	H	L	H	V	H	V	
Auto-Refresh	REFA	H	H	L	L	L	H	X	X	X	
Self-Refresh Entry	REFS	H	L	L	L	L	H	X	X	X	
Self-Refresh Exit	REFSX	L	H	H	X	X	X	X	X	X	
		L	H	L	H	H	H	X	X	X	
Burst Terminate	TERM	H	H	L	H	H	L	X	X	X	1
Mode Register Set	MRS	H	H	L	L	L	L	L	L	V	2

H=High Level, L=Low Level, V=Valid, X=Don't Care, n=CLK cycle number

NOTE:

1. Applies only to read bursts with autoprcharge disabled; this command is undefined (and should not be used) for read bursts with autoprcharge enabled, and for write bursts.
2. BA0-BA1 select either the Base or the Extended Mode Register (BA0 = 0, BA1 = 0 selects Mode Register; BA0 = 1, BA1 = 0 selects Extended Mode Register; other combinations of BA0-BA1 are reserved; A0-A11 provide the op-code to be written to the selected Mode Register.



## 256Mb DDR Synchronous DRAM

A2S56D20CTP (4-bank x 16,777,216 - word x 4-bit)

A2S56D30CTP (4-bank x 8,388,608 - word x 8-bit)

A2S56D40CTP (4-bank x 4,194,304 - word x 16-bit)

### FUNCTION TRUTH TABLE

Current State	/CS	/RAS	/CAS	/WE	Address	Command	Action	Notes
IDLE	H	X	X	X	X	DESEL	NOP	
	L	H	H	H	X	NOP	NOP	
	L	H	H	L	BA	TERM	ILLEGAL	2
	L	H	L	X	BA, CA, A10	READ / WRITE	ILLEGAL	2
	L	L	H	H	BA, RA	ACT	Bank Active, Latch RA	
	L	L	H	L	BA, A10	PRE / PREA	NOP	4
	L	L	L	H	X	REFA	Auto-Refresh	5
	L	L	L	L	Op-Code, Mode-Add	MRS	Mode Register Set	5
ROW ACTIVE	H	X	X	X	X	DESEL	NOP	
	L	H	H	H	X	NOP	NOP	
	L	H	H	L	BA	TERM	NOP	
	L	H	L	H	BA, CA, A10	READ / READA	Begin Read, Latch CA, Determine Auto-Precharge	
	L	H	L	L	BA, CA, A10	WRITE / WRITEA	Begin Write, Latch CA, Determine Auto-Precharge	
	L	L	H	H	BA, RA	ACT	Bank Active / ILLEGAL	2
	L	L	H	L	BA, A10	PRE / PREA	Precharge / Precharge All	
	L	L	L	H	X	REFA	ILLEGAL	
READ (Auto-Precharge Disabled)	H	X	X	X	X	DESEL	NOP (Continue Burst to END)	
	L	H	H	H	X	NOP	NOP (Continue Burst to END)	
	L	H	H	L	BA	TERM	Terminate Burst	
	L	H	L	H	BA, CA, A10	READ / READA	Terminate Burst, Latch CA, Begin New Read, Determine Auto-Precharge	3
	L	H	L	L	BA, CA, A10	WRITE WRITEA	ILLEGAL	
	L	L	H	H	BA, RA	ACT	Bank Active / ILLEGAL	2
	L	L	H	L	BA, A10	PRE / PREA	Terminate Burst, Precharge	
	L	L	L	H	X	REFA	ILLEGAL	
L	L	L	L	Op-Code, Mode-Add	MRS	ILLEGAL		

## 256Mb DDR Synchronous DRAM

A2S56D20CTP (4-bank x 16,777,216 - word x 4-bit)

A2S56D30CTP (4-bank x 8,388,608 - word x 8-bit)

A2S56D40CTP (4-bank x 4,194,304 - word x 16-bit)

### FUNCTION TRUTH TABLE (continued)

Current State	/CS	/RAS	/CAS	/WE	Address	Command	Action	Notes
WRITE (Auto-Precharge Disabled)	H	X	X	X	X	DESEL	NOP (Continue Burst to END)	
	L	H	H	H	X	NOP	NOP (Continue Burst to END)	
	L	H	H	L	BA	TERM	ILLEGAL	
	L	H	L	H	BA, CA, A10	READ / READA	Terminate Burst, Latch CA, Begin Read, Determine Auto-Precharge	3
	L	H	L	L	BA, CA, A10	WRITE / WRITEA	Terminate Burst, Latch CA, Begin Write, Determine Auto-Precharge	3
	L	L	H	H	BA, RA	ACT	Bank Active / ILLEGAL	2
	L	L	H	L	BA, A10	PRE / PREA	Terminate Burst, Precharge	
	L	L	L	H	X	REFA	ILLEGAL	
READ with AUTO PRECHARGE	L	L	L	L	Op-Code, Mode-Add	MRS	ILLEGAL	
	H	X	X	X	X	DESEL	NOP (Continue Burst to END)	
	L	H	H	H	X	NOP	NOP (Continue Burst to END)	
	L	H	H	L	BA	TERM	ILLEGAL	
	L	H	L	H	BA, CA, A10	READ / READA	ILLEGAL	
	L	H	L	L	BA, CA, A10	WRITE / WRITEA	ILLEGAL	
	L	L	H	H	BA, RA	ACT	Bank Active / ILLEGAL	2
	L	L	H	L	BA, A10	PRE / PREA	PRECHARGE/ILLEGAL	2
WRITE with AUTO PRECHARGE	L	L	L	H	X	REFA	ILLEGAL	
	L	L	L	L	Op-Code, Mode-Add	MRS	ILLEGAL	
	H	X	X	X	X	DESEL	NOP (Continue Burst to END)	
	L	H	H	H	X	NOP	NOP (Continue Burst to END)	
	L	H	H	L	BA	TERM	ILLEGAL	
	L	H	L	H	BA, CA, A10	READ / READA	ILLEGAL	
	L	H	L	L	BA, CA, A10	WRITE / WRITEA	ILLEGAL	
	L	L	H	H	BA, RA	ACT	Bank Active / ILLEGAL	2
L	L	H	L	BA, A10	PRE / PREA	PRECHARGE/ILLEGAL	2	
L	L	L	H	X	REFA	ILLEGAL		
L	L	L	L	Op-Code, Mode-Add	MRS	ILLEGAL		

## 256Mb DDR Synchronous DRAM

A2S56D20CTP (4-bank x 16,777,216 - word x 4-bit)

A2S56D30CTP (4-bank x 8,388,608 - word x 8-bit)

A2S56D40CTP (4-bank x 4,194,304 - word x 16-bit)

### FUNCTION TRUTH TABLE (continued)

Current State	/CS	/RAS	/CAS	/WE	Address	Command	Action	Notes
PRE - CHARGING	H	X	X	X	X	DESEL	NOP (Idle after tRP)	
	L	H	H	H	X	NOP	NOP (Idle after tRP)	
	L	H	H	L	BA	TERM	ILLEGAL	2
	L	H	L	X	BA, CA, A10	READ / WRITE	ILLEGAL	2
	L	L	H	H	BA, RA	ACT	ILLEGAL	2
	L	L	H	L	BA, A10	PRE / PREA	NOP (Idle after tRP)	4
	L	L	L	H	X	REFA	ILLEGAL	
	L	L	L	L	Op-Code, Mode-Add	MRS	ILLEGAL	
ROW ACTIVATING	H	X	X	X	X	DESEL	NOP (Row Active after tRCD)	
	L	H	H	H	X	NOP	NOP (Row Active after tRCD)	
	L	H	H	L	BA	TERM	ILLEGAL	2
	L	H	L	X	BA, CA, A10	READ / WRITE	ILLEGAL	2
	L	L	H	H	BA, RA	ACT	ILLEGAL	2
	L	L	H	L	BA, A10	PRE / PREA	ILLEGAL	2
	L	L	L	H	X	REFA	ILLEGAL	
	L	L	L	L	Op-Code, Mode-Add	MRS	ILLEGAL	
WRITE RECOVERING	H	X	X	X	X	DESEL	NOP	
	L	H	H	H	X	NOP	NOP	
	L	H	H	L	BA	TERM	ILLEGAL	2
	L	H	L	X	BA, CA, A10	READ / WRITE	ILLEGAL	2
	L	L	H	H	BA, RA	ACT	ILLEGAL	2
	L	L	H	L	BA, A10	PRE / PREA	ILLEGAL	2
	L	L	L	H	X	REFA	ILLEGAL	
	L	L	L	L	Op-Code, Mode-Add	MRS	ILLEGAL	

## FUNCTION TRUTH TABLE (continued)

Current State	/CS	/RAS	/CAS	/WE	Address	Command	Action	Notes
RE-FRESHING	H	X	X	X	X	DESEL	NOP (Idle after tRC)	
	L	H	H	H	X	NOP	NOP (Idle after tRC)	
	L	H	H	L	BA	TERM	ILLEGAL	
	L	H	L	X	BA, CA, A10	READ / WRITE	ILLEGAL	
	L	L	H	H	BA, RA	ACT	ILLEGAL	
	L	L	H	L	BA, A10	PRE / PREA	ILLEGAL	
	L	L	L	H	X	REFA	ILLEGAL	
	L	L	L	L	Op-Code, Mode-Add	MRS	ILLEGAL	
MODE REGISTER SETTING	H	X	X	X	X	DESEL	NOP (Idle after tRSC)	
	L	H	H	H	X	NOP	NOP (Idle after tRSC)	
	L	H	H	L	BA	TERM	ILLEGAL	
	L	H	L	X	BA, CA, A10	READ / WRITE	ILLEGAL	
	L	L	H	H	BA, RA	ACT	ILLEGAL	
	L	L	H	L	BA, A10	PRE / PREA	ILLEGAL	
	L	L	L	H	X	REFA	ILLEGAL	
	L	L	L	L	Op-Code, Mode-Add	MRS	ILLEGAL	

### ABBREVIATIONS:

H=High Level, L=Low Level, X=Don't Care

BA=Bank Address, RA=Row Address, CA=Column Address, NOP=No Operation

### NOTES:

1. All entries assume that CKE was High during the preceding clock cycle and the current clock cycle.
2. ILLEGAL to bank in specified state; function may be legal in the bank indicated by BA, depending on the state of that bank.
3. Must satisfy bus contention, bus turn around, write recovery requirements.
4. NOP to bank precharging or in idle state. May precharge bank indicated by BA.
5. ILLEGAL if any bank is not idle.

ILLEGAL = Device operation and/or data-integrity are not guaranteed.

## FUNCTION TRUTH TABLE (continued)

Current State	CKE <sub>n-1</sub>	CKE <sub>n</sub>	/CS	/RAS	/CAS	/WE	Add	Action	Notes
SELF-REFRESH	H	X	X	X	X	X	X	INVALID	1
	L	H	H	X	X	X	X	Exit Self-Refresh (Idle after tRC)	1
	L	H	L	H	H	H	X	Exit Self-Refresh (Idle after tRC)	1
	L	H	L	H	H	L	X	ILLEGAL	1
	L	H	L	H	L	X	X	ILLEGAL	1
	L	H	L	L	X	X	X	ILLEGAL	1
	L	L	X	X	X	X	X	NOP (Maintain Self-Refresh)	1
POWER DOWN	H	X	X	X	X	X	X	INVALID	
	L	H	X	X	X	X	X	Exit Power Down to Idle	
	L	L	X	X	X	X	X	NOP (Maintain Self-Refresh)	
ALL BANKS IDLE	H	H	X	X	X	X	X	Refer to Function Truth Table	2
	H	L	L	L	L	H	X	Enter Self-Refresh	2
	H	L	H	X	X	X	X	Enter Power Down	2
	H	L	L	H	H	H	X	Enter Power Down	2
	H	L	L	H	H	L	X	ILLEGAL	2
	H	L	L	H	L	X	X	ILLEGAL	2
	H	L	L	L	X	X	X	ILLEGAL	2
	L	X	X	X	X	X	X	Refer to Current State =Power Down	2
ANY STATE other than listed above	H	H	X	X	X	X	X	Refer to Function Truth Table	
	H	L	X	X	X	X	X	Begin CLK Suspend at Next Cycle	3
	L	H	X	X	X	X	X	Exit CLK Suspend at Next Cycle	3
	L	L	X	X	X	X	X	Maintain CLK Suspend	

### ABBREVIATIONS:

H=High Level, L=Low Level, X=Don't Care

### NOTES:

- 1.CKE Low to High transition will re-enable CLK and other inputs asynchronously.  
A minimum setup time must be satisfied before any command other than EXIT.
- 2.Power-Down and Self-Refresh can be entered only from the All Banks Idel State.
- 3.Must be legal command.

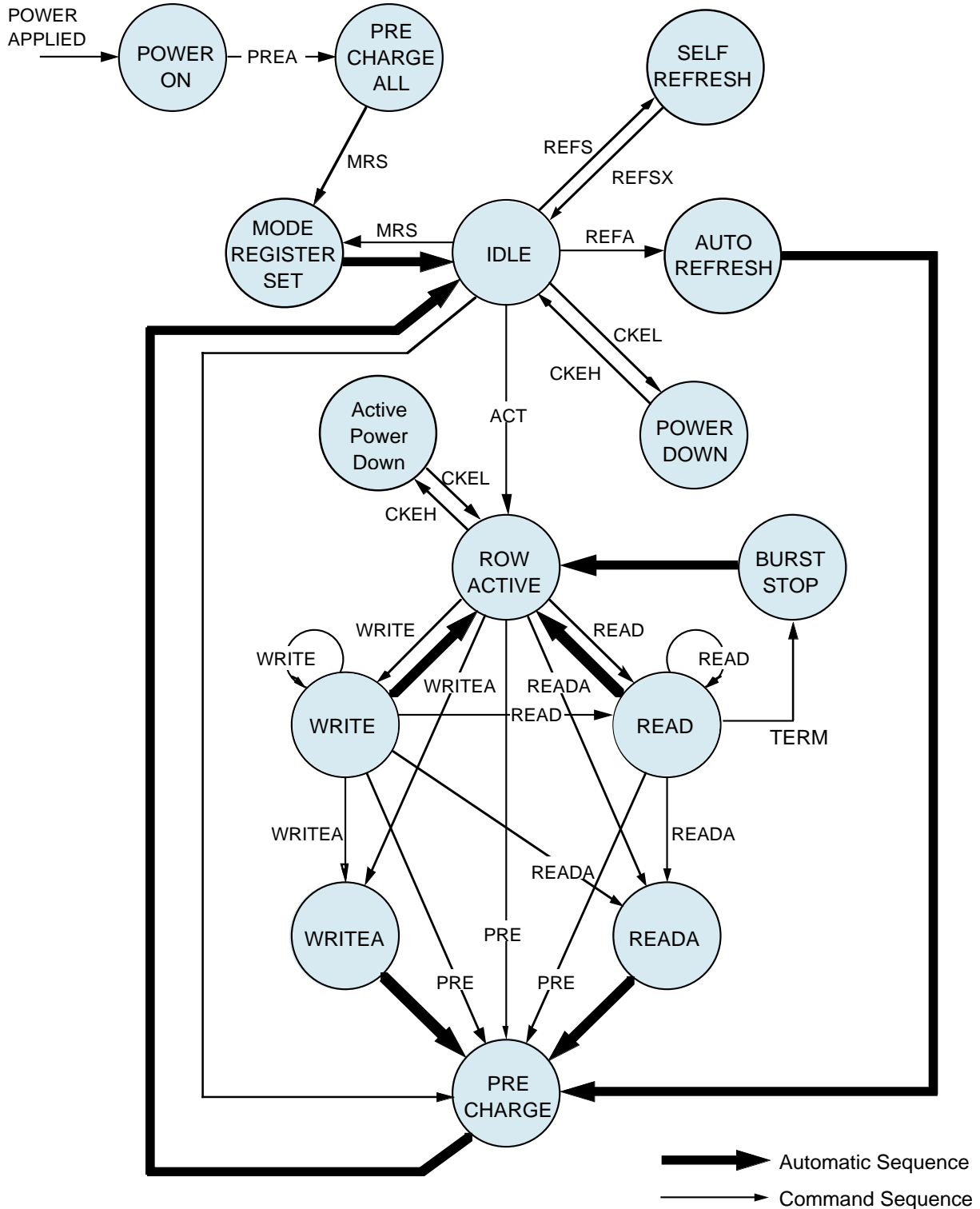
# 256Mb DDR Synchronous DRAM

A2S56D20CTP (4-bank x 16,777,216 - word x 4-bit)

A2S56D30CTP (4-bank x 8,388,608 - word x 8-bit)

A2S56D40CTP (4-bank x 4,194,304 - word x 16-bit)

## SIMPLIFIED STATE DIAGRAM



## POWER ON SEQUENCE

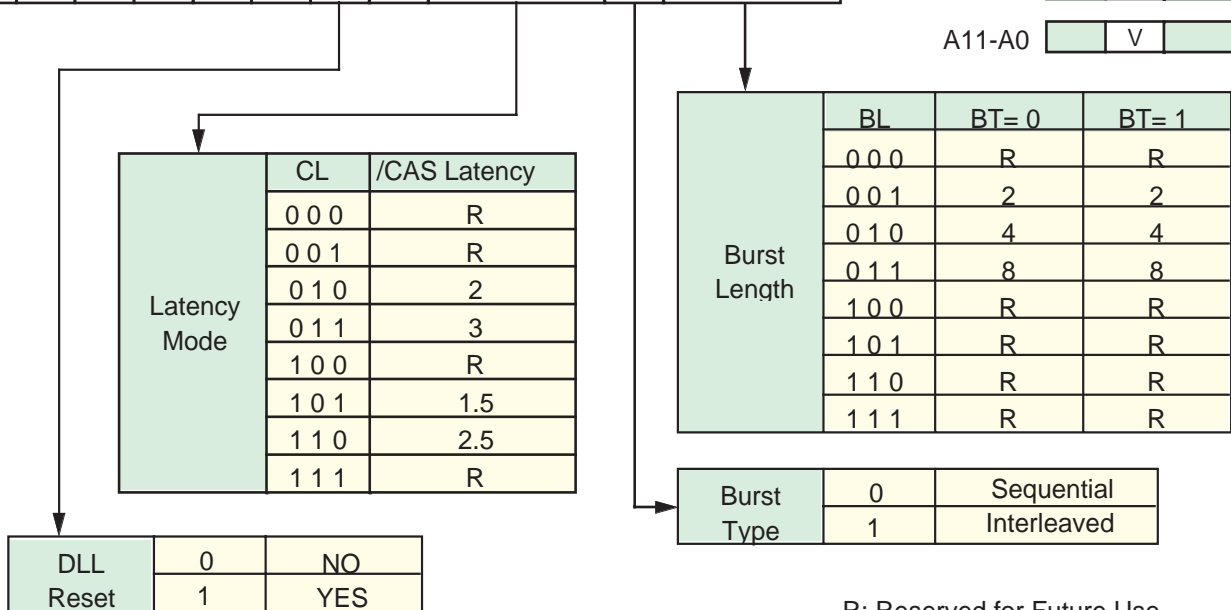
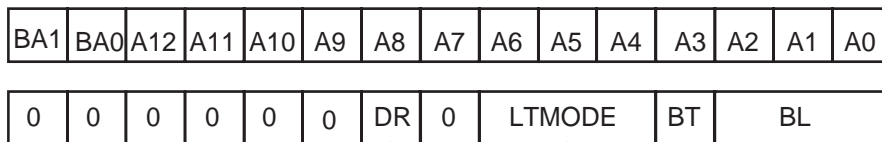
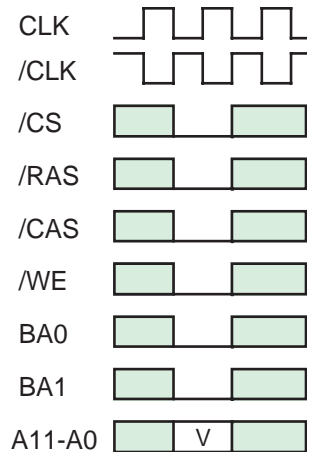
Before starting normal operation , the following power on sequence is necessary to prevent a SDRAM from damaged or multifunctioning.

1. Apply VDD before or the same time as VDDQ
  2. Apply VDDQ before or at the same time as VTT & Vref.
  3. Maintain stable condition for 200us after stable power and CLK , apply NOP or DSEL.
  4. Issue precharge command for all banks of the device.
  5. Issue EMRS
  6. ISSUE MRS
  7. Issue 2 or more Auto Refresh commands
  8. Maintain stable condition for 200 cycle
- After these sequence , the SDRAM is idle state and ready for normal operation.

## MODE REGISTER

Burst Length , Burst Type and /CAS Latency can be programmed by setting the mode register (MRS). The mode register stores there data until the next MRS command , which may be issued when both banks are in idel state.

After tRSC from a MRS command , the DDR SDRAM is ready for new command.



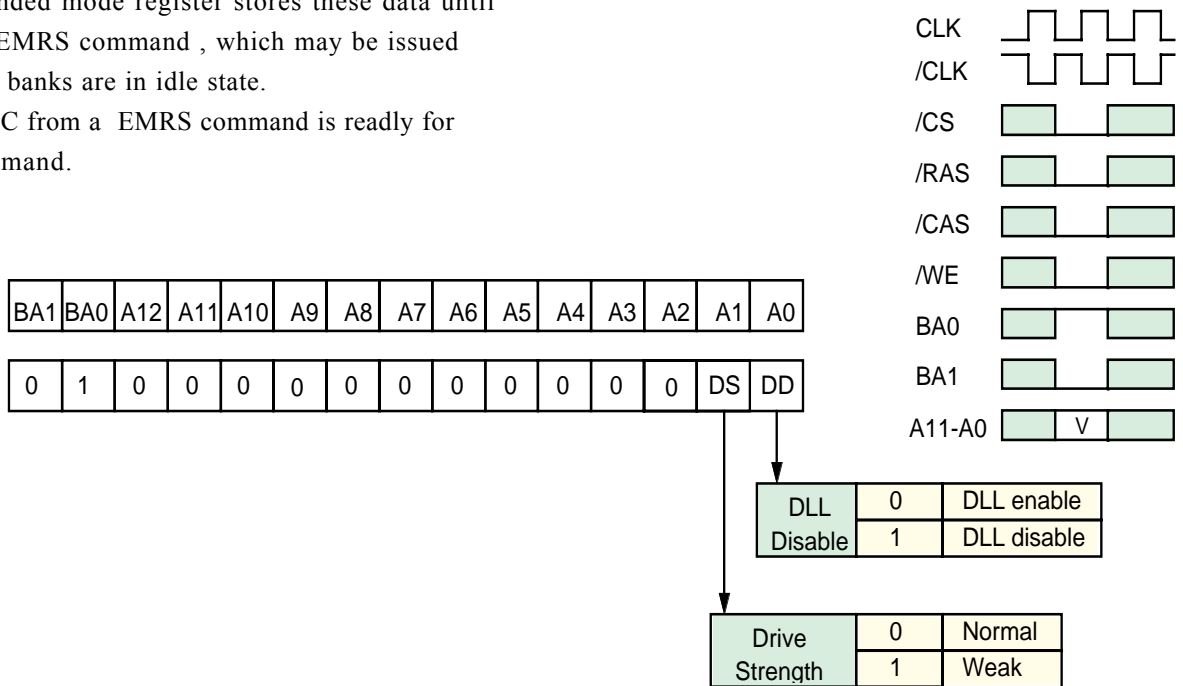
R: Reserved for Future Use

## EXTENDED MODE REGISTER

DLL Disable / enable mode can be programmed by setting the extended register (EMRS).

The extended mode register stores these data until the next EMRS command, which may be issued when all banks are in idle state.

After tRSC from a EMRS command is ready for new command.



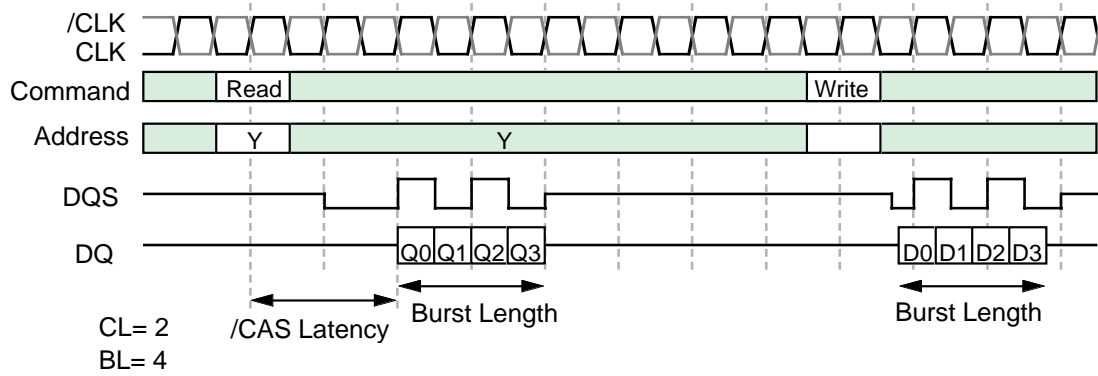


# 256Mb DDR Synchronous DRAM

A2S56D20CTP (4-bank x 16,777,216 - word x 4-bit)

A2S56D30CTP (4-bank x 8,388,608 - word x 8-bit)

A2S56D40CTP (4-bank x 4,194,304 - word x 16-bit)



Initial Address			BL	Column Addressing															
A2	A1	A0		Sequential							Interleaved								
0	0	0	8	0	1	2	3	4	5	6	7	0	1	2	3	4	5	6	7
0	0	1		1	2	3	4	5	6	7	0	1	0	3	2	5	4	7	6
0	1	0		2	3	4	5	6	7	0	1	2	3	0	1	6	7	4	5
0	1	1		3	4	5	6	7	0	1	2	3	2	1	0	7	6	5	4
1	0	0		4	5	6	7	0	1	2	3	4	5	6	7	0	1	2	3
1	0	1		5	6	7	0	1	2	3	4	5	4	7	6	1	0	3	2
1	1	0		6	7	0	1	2	3	4	5	6	7	4	5	2	3	0	1
1	1	1		7	0	1	2	3	4	5	6	7	6	5	4	3	2	1	0
-	0	0	4	0	1	2	3					0	1	2	3				
-	0	1		1	2	3	0					1	0	3	2				
-	1	0		2	3	0	1					2	3	0	1				
-	1	1		3	0	1	2					3	2	1	0				
-	-	0	2	0	1						0	1							
-	-	1		1	0						1	0							

## OPERATIONAL DESCRIPTION

### BANK ACTIVE

The DDR SDRAM has four independent banks.

Each bank address (BA0,1). A row is indicated by the row address A12-0.

The minimum activation interval between one bank and the other bank is tRRD.

Maximum 2 ACT commands are allowed within tRC,

although the number of banks which are active concurrently is not limited.

### PRECHARGE

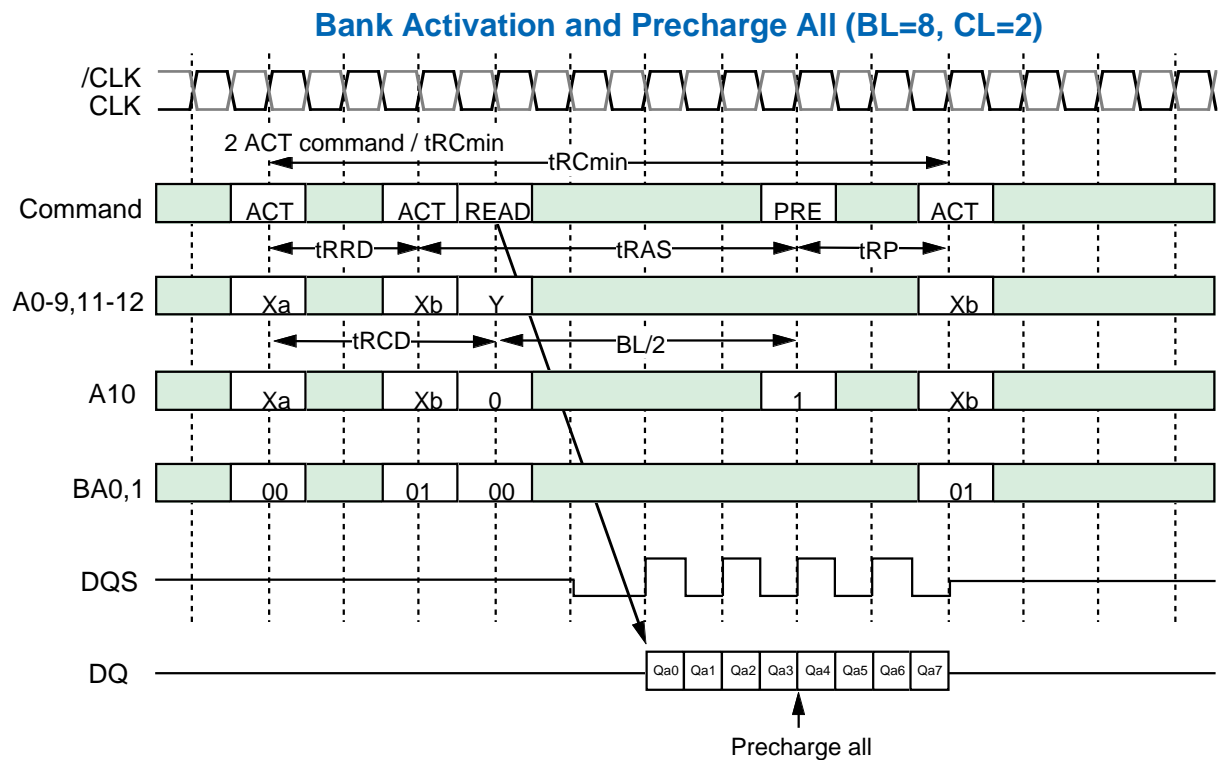
The DDR SDRAM has four independent banks.

Each bank address (BA0,1). A row is indicated by the row address A12-0.

The minimum activation interval between one bank and the other bank is tRRD.

Maximum 2 ACT commands are allowed within tRC,

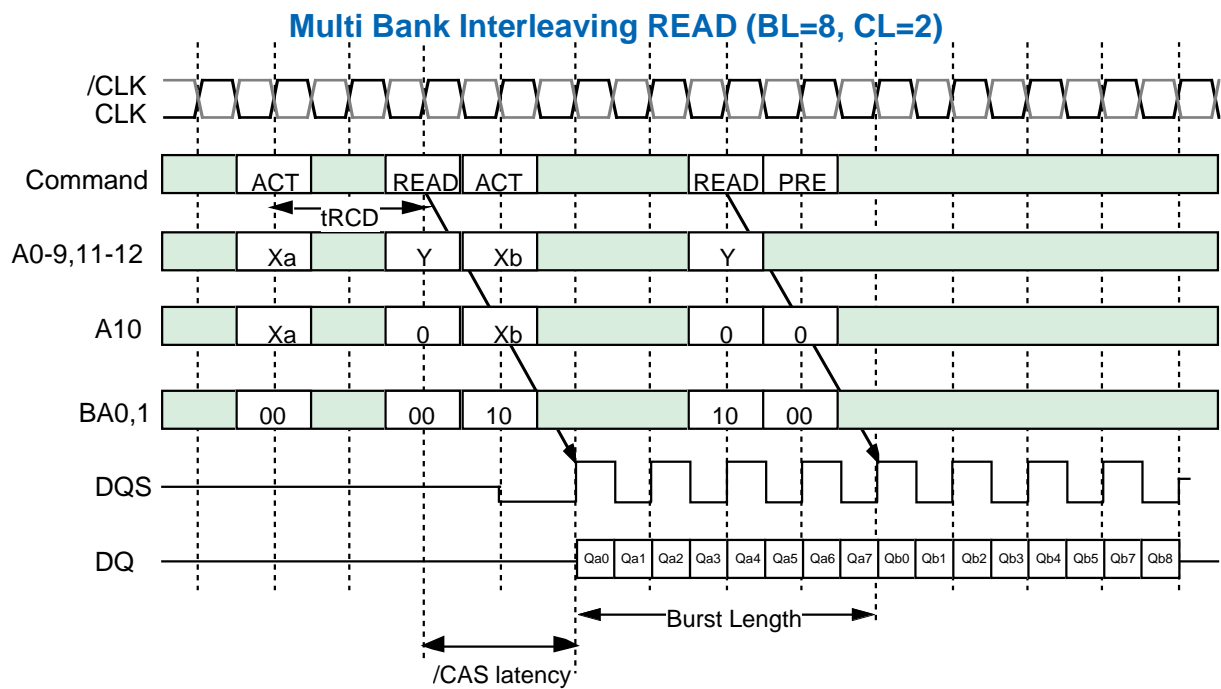
although the number of banks which are active concurrently is not limited.



A precharge command can be issued at BL/2 from a read command without data loss.

## READ

After tRCD from the bank activation, a READ command can be issued. 1st output data is available after the /CAS Latency from the READ, followed by (BL - 1) consecutive data when the Burst Length is BL. The start address is specified by A11, A9-0(x4)/A9-0(x8)/A8-0(x16), and the address sequence of burst data is defined by the Burst Type. A READ command may be applied to any active bank, so the row precharge time (tRP) can be hidden behind continuous output data by interleaving the multiple banks. When A10 is high at a READ command, the auto-precharge (READA) is performed. Any command (READ, WRITE, PRE, ACT) to the same bank is inhibited till the internal precharge is complete. The internal precharge starts at BL/2 after READA. The next ACT command can be issued after (BL/2 + tRP) from the previous READA.



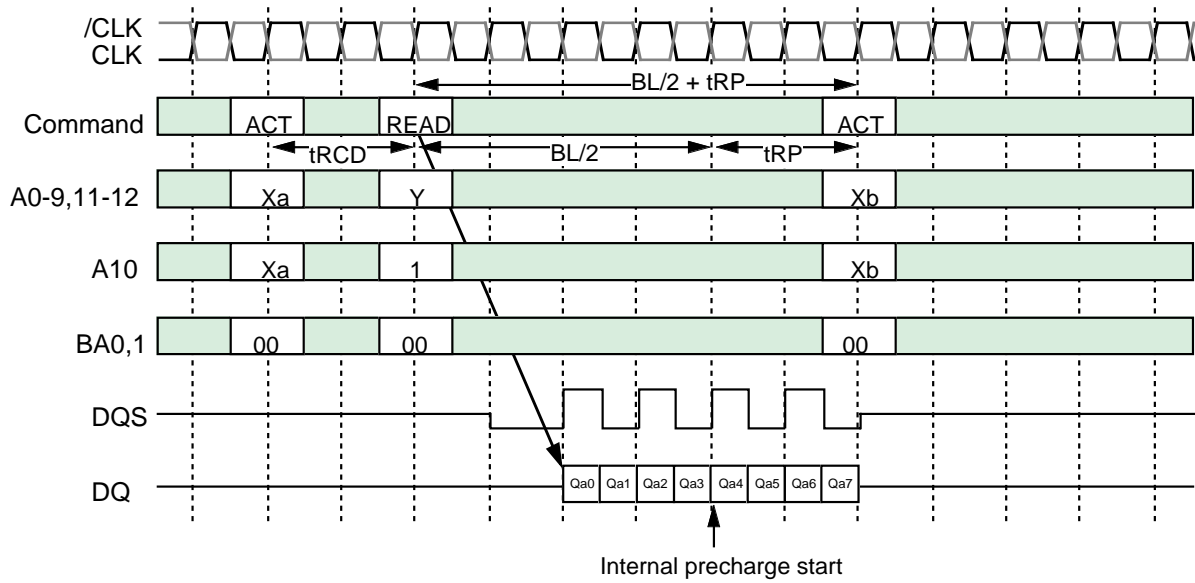
# 256Mb DDR Synchronous DRAM

A2S56D20CTP (4-bank x 16,777,216 - word x 4-bit)

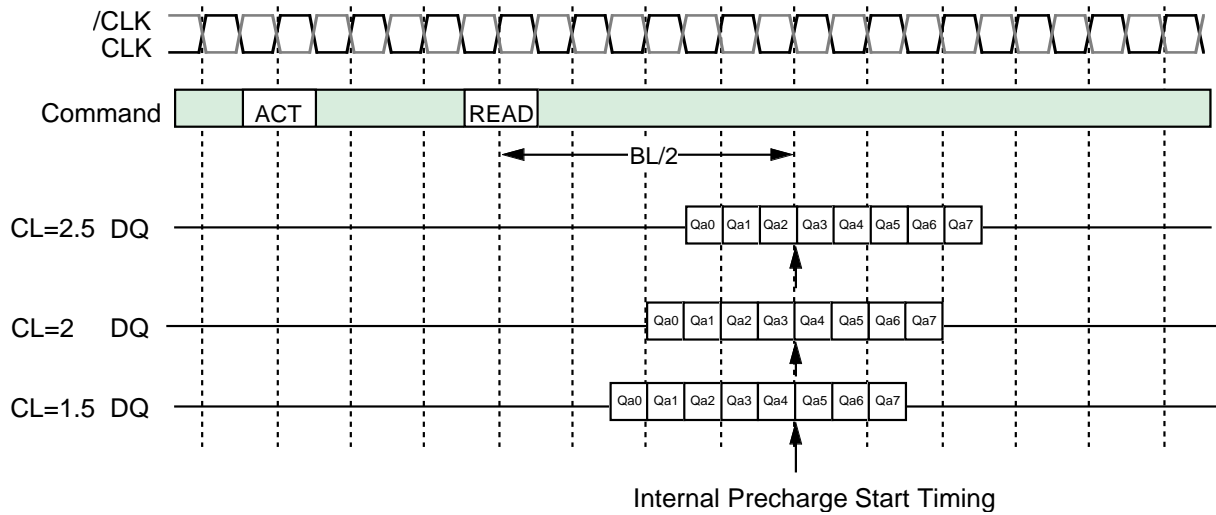
A2S56D30CTP (4-bank x 8,388,608 - word x 8-bit)

A2S56D40CTP (4-bank x 4,194,304 - word x 16-bit)

## READ with Auto-Precharge (BL=8, CL=2)



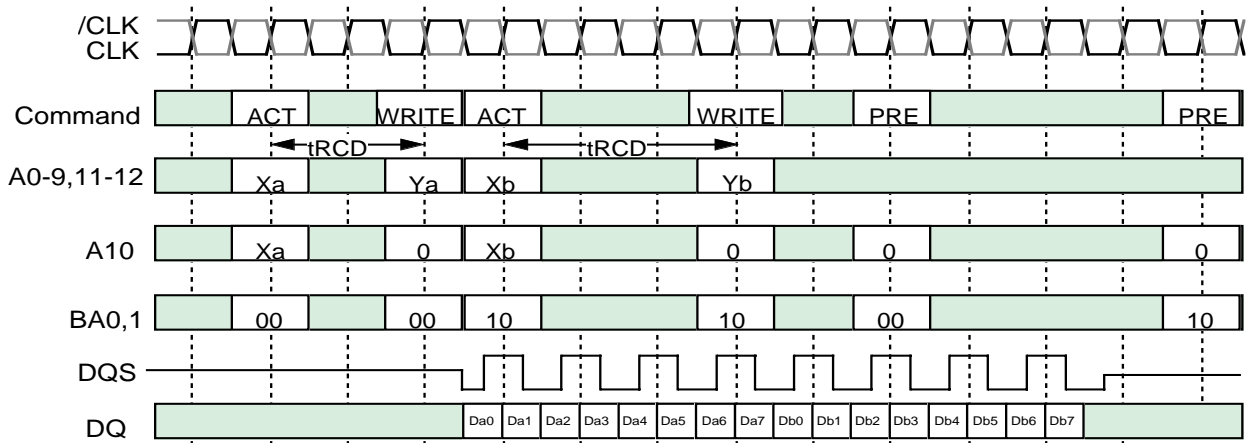
## READ Auto-Precharge Timing (BL=8)



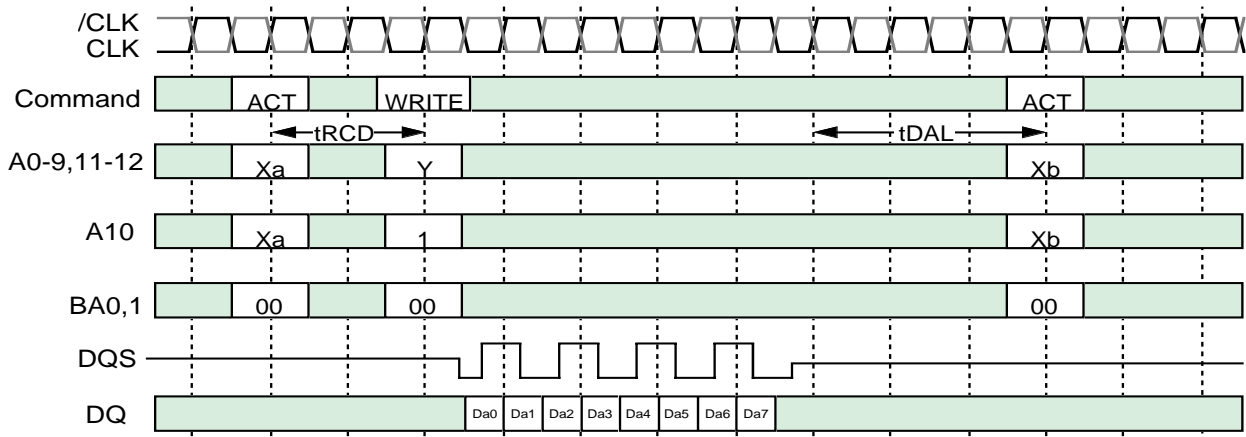
## WRITE

After tRCD from the bank activation, a WRITE command can be issued. 1st input data is set at the same cycle as the WRITE. Following (BL -1) data are written into the RAM, when the Burst Length is BL. The start address is specified by A11, A9-0(x4)/A9-0(x8)/A8-0(x16) and the address sequence of burst data is defined by the Burst Type. A WRITE command may be applied to any active bank, so the row precharge time (tRP) can be hidden behind continuous input data by interleaving the multiple banks. From the last input data to the PRE command, the write recovery time (tWR) is required. When A10 is high at a WRITE command, the autoprecharge (WRITEA) is performed. Any command (READ, WRITE, PRE, TBST, ACT) to the same bank is inhibited till the internal precharge is complete. The internal precharge begins at tWR after the last input data cycle. (Need to keep tRAS min.) The next ACT command can be issued after tRP from the internal precharge timing.

### Multi Bank Interleaving WRITE (BL=8)

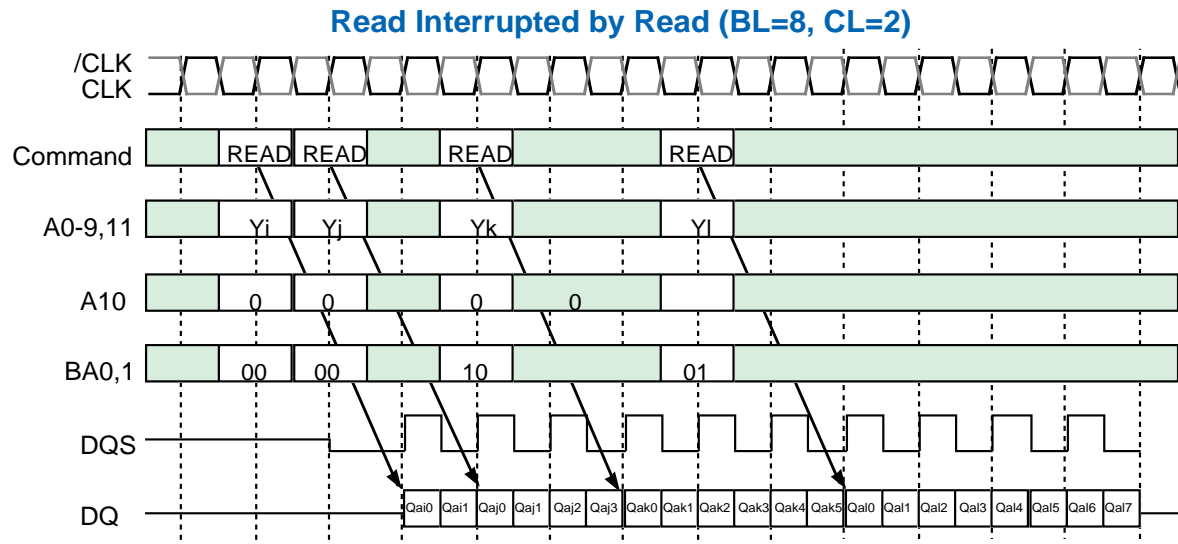


### WRITE with Auto-Precharge (BL=8)



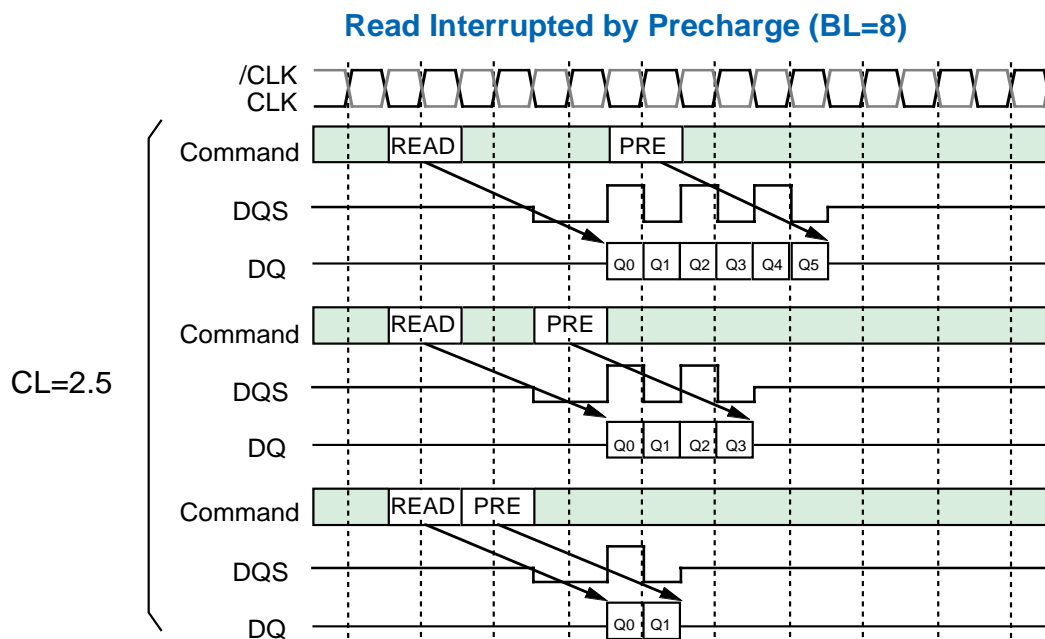
## BURST INTERRUPTION [ Read Interrupted by Read ]

Burst read operation can be interrupted by new read of any bank. Random column access is allowed. READ to READ interval is minimum 1 CLK..



## [ Read Interrupted by Precharge ]

Burst read operation can be interrupted by precharge of the same bank. READ to PRE interval is minimum 1 CLK. A PRE command to output disable latency is equivalent to the /CAS Latency. As a result, READ to PRE interval determines valid data length to be output. The figure below shows examples of BL=8.



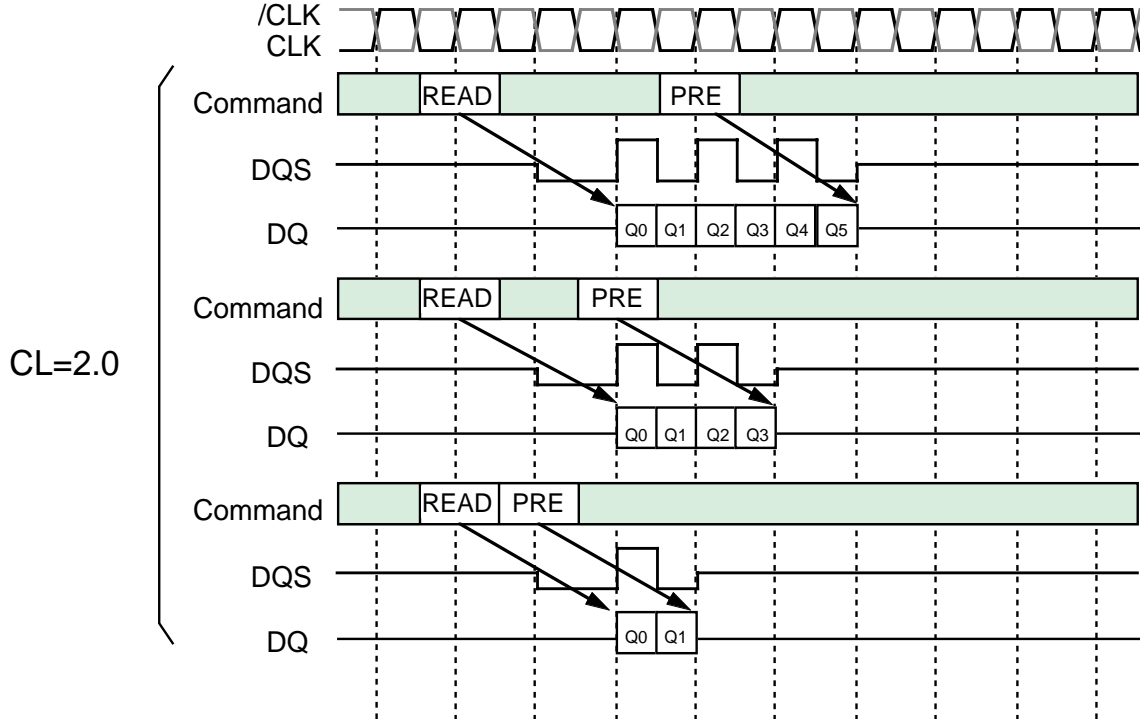
# 256Mb DDR Synchronous DRAM

A2S56D20CTP (4-bank x 16,777,216 - word x 4-bit)

A2S56D30CTP (4-bank x 8,388,608 - word x 8-bit)

A2S56D40CTP (4-bank x 4,194,304 - word x 16-bit)

## Read Interrupted by Precharge (BL=8)



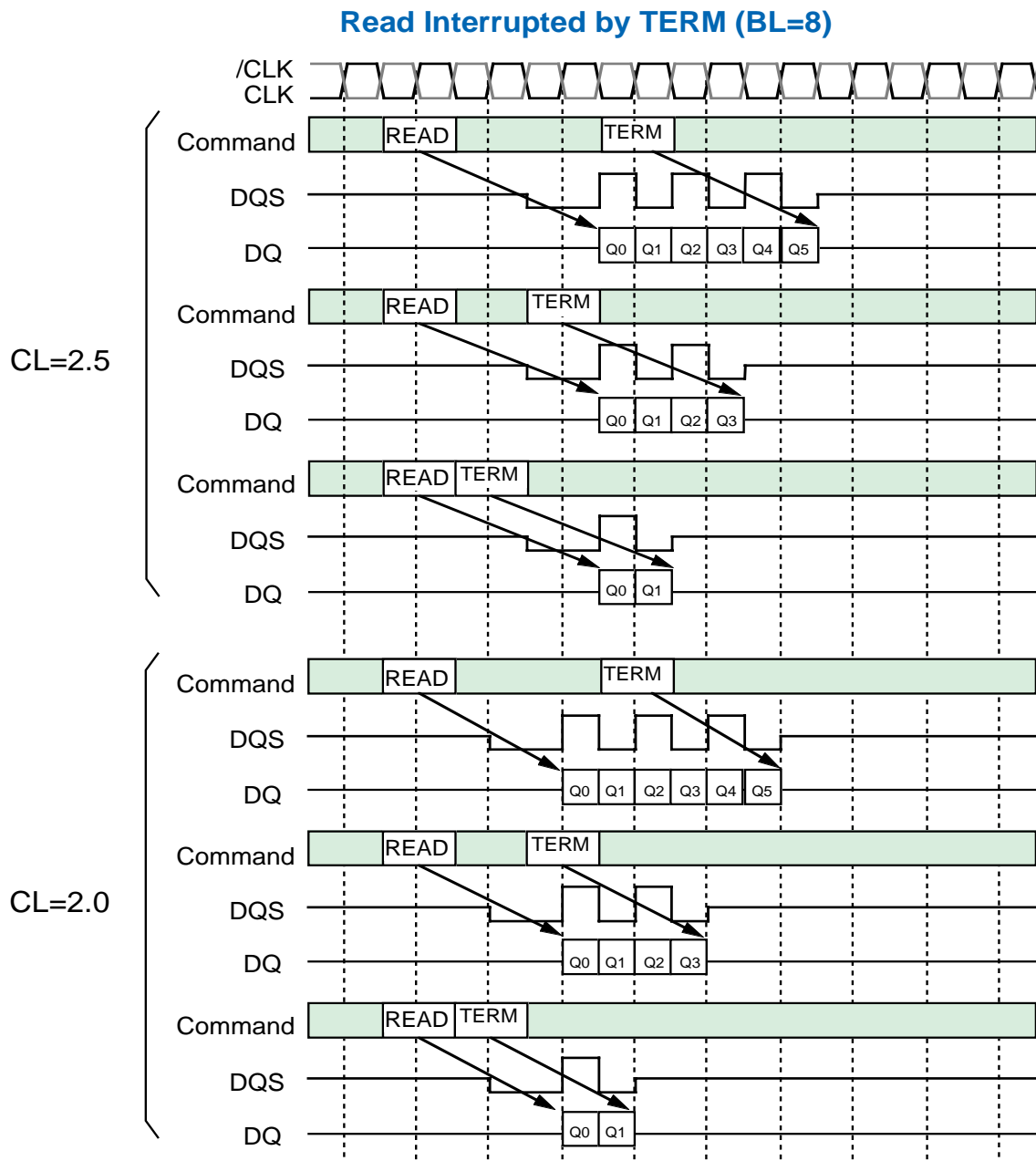
## [Read Interrupted by Burst Stop]

Burst read operation can be interrupted by a burst stop command (TERM) .

READ to TERM interval is minimum 1 CLK . A TERM command to output disable latency is equivalent to the /CAS Latency.

As a result , READ to TERM interval determines valid data length to be output .

The figure below shows examples of BL=8.





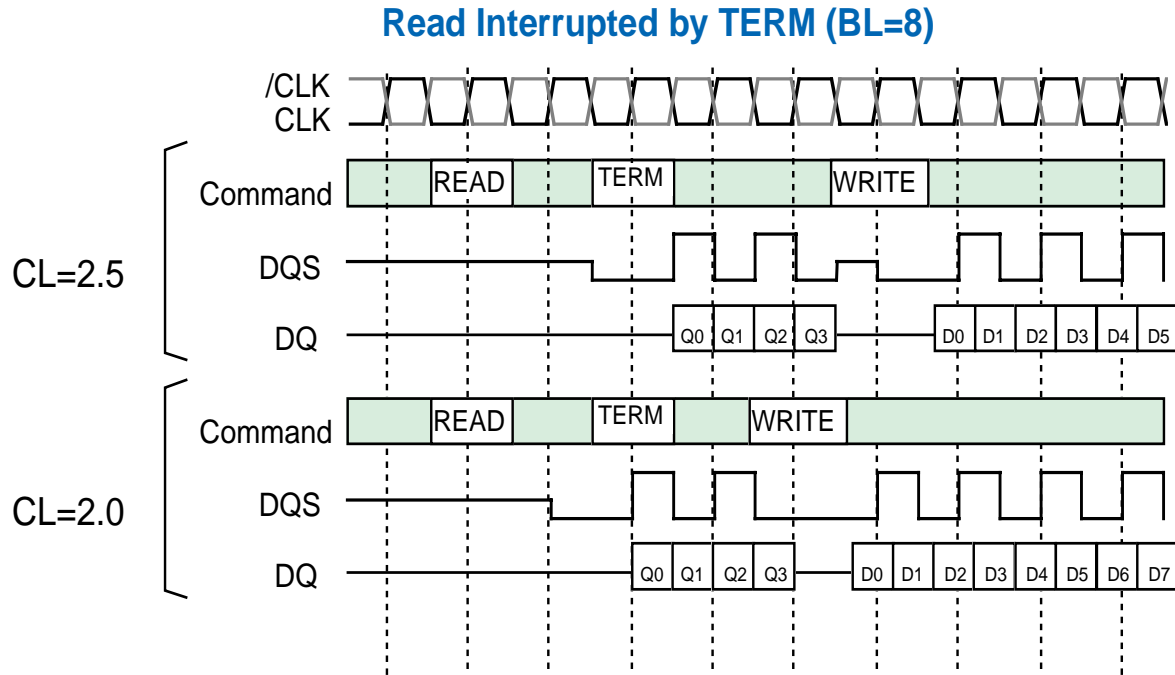
# 256Mb DDR Synchronous DRAM

A2S56D20CTP (4-bank x 16,777,216 - word x 4-bit)

A2S56D30CTP (4-bank x 8,388,608 - word x 8-bit)

A2S56D40CTP (4-bank x 4,194,304 - word x 16-bit)

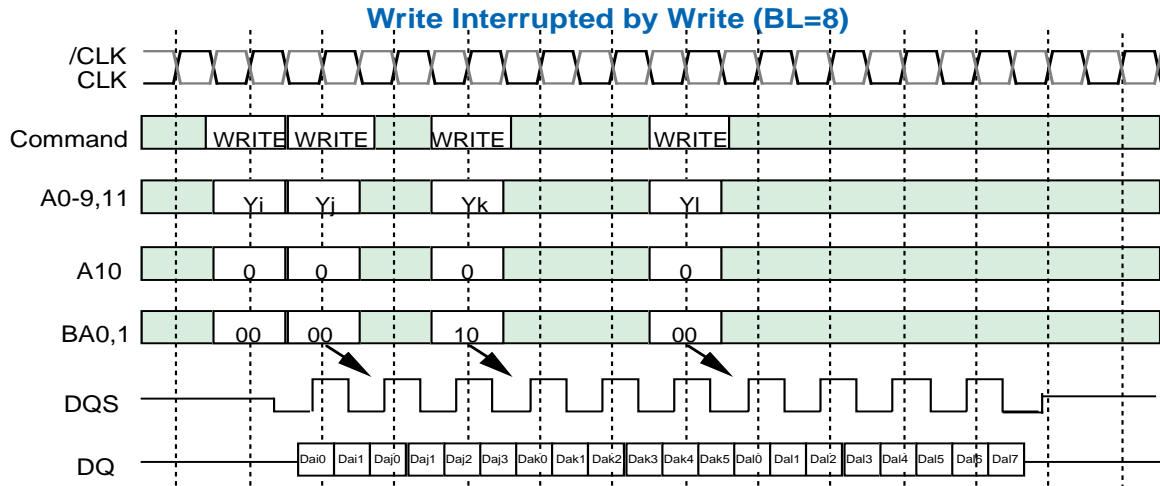
## [Read Interrupted by Write with TERM]



## [ Write Interrupted by Write]

Burst write operation can be interrupted by write of any bank. Random column access is allowed.

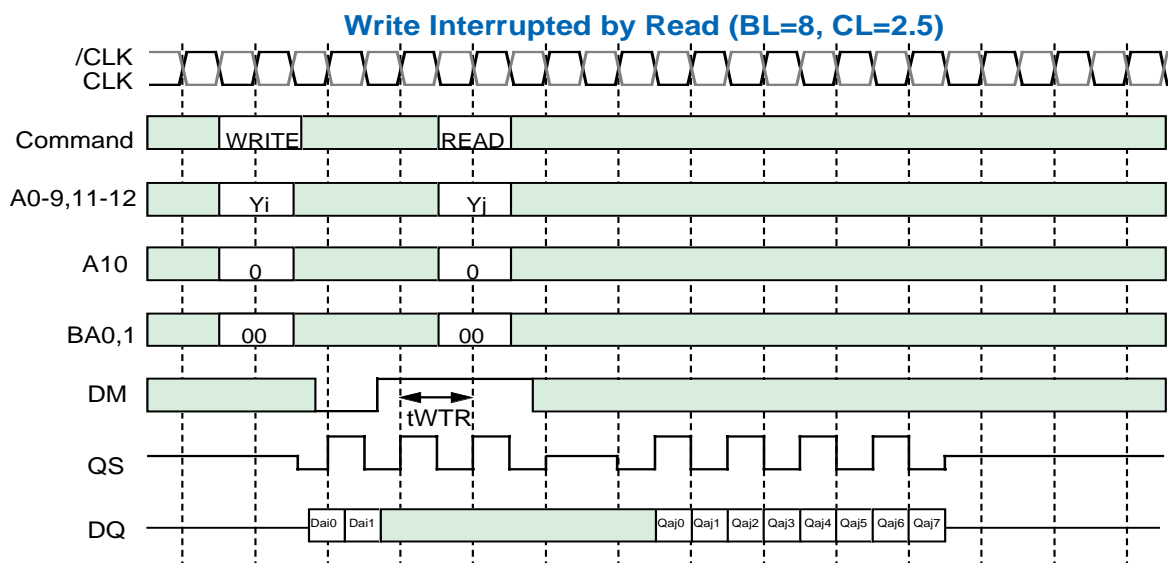
WRITE to WRITE interval is minimum 1 CLK.



## [Write Interrupted by Read]

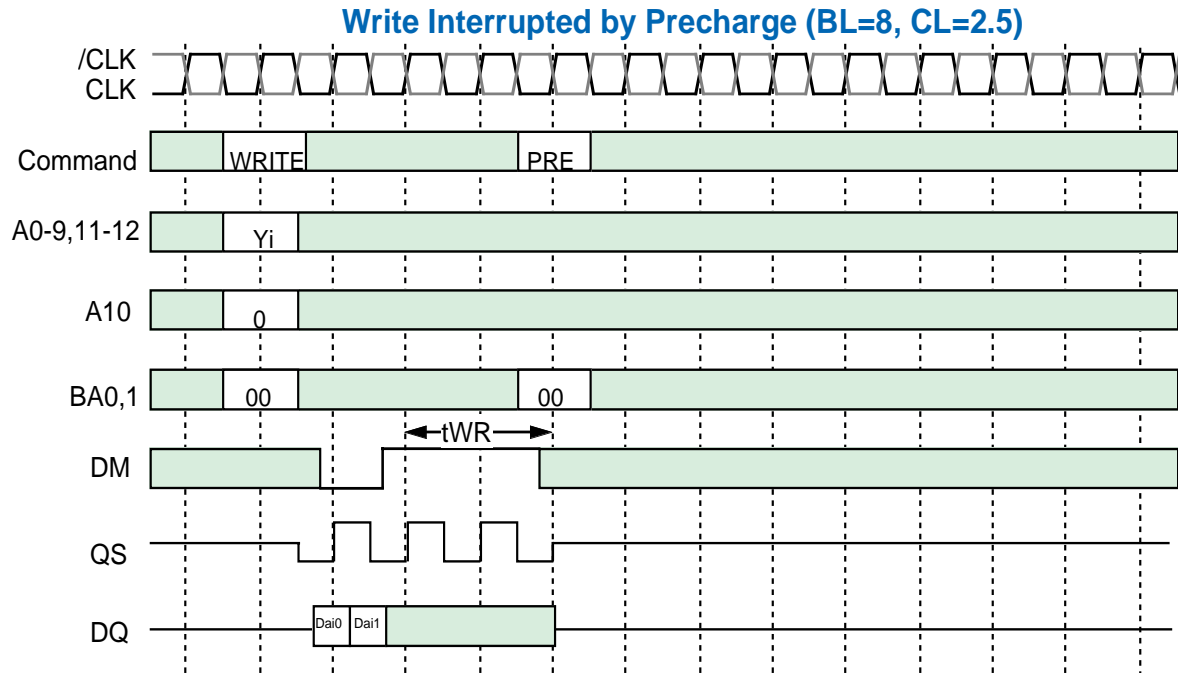
Burst write operation can be interrupted by read of the same or the other bank. Random column access is allowed. Internal WRITE to READ command interval( $t_{WTR}$ ) is minimum 1 CLK. The input data on DQ at the interrupting READ cycle is “DON'T CARE”.

$t_{WTR}$  is referenced from the first positive edge after the last data input.



## [Write Interrupted by Precharge]

Burst write operation can be interrupted by precharge of the same or all bank. Random column access is allowed.  $t_{WR}$  is referenced from the first positive CLK edge after the last data input.



# 256Mb DDR Synchronous DRAM

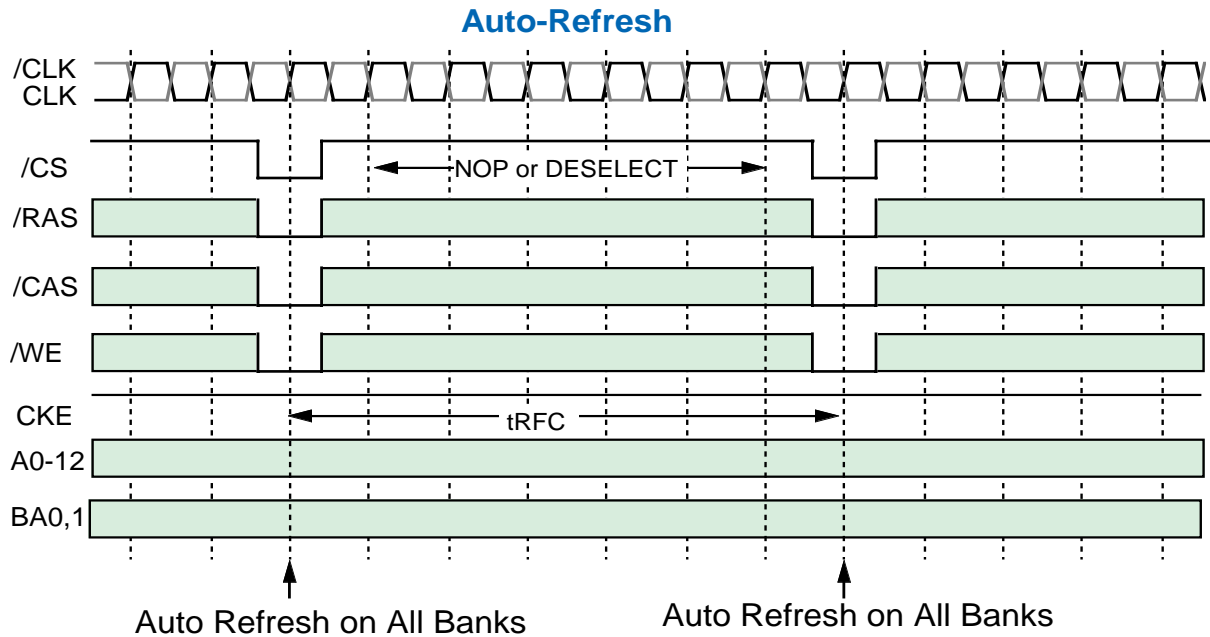
A2S56D20CTP (4-bank x 16,777,216 - word x 4-bit)

A2S56D30CTP (4-bank x 8,388,608 - word x 8-bit)

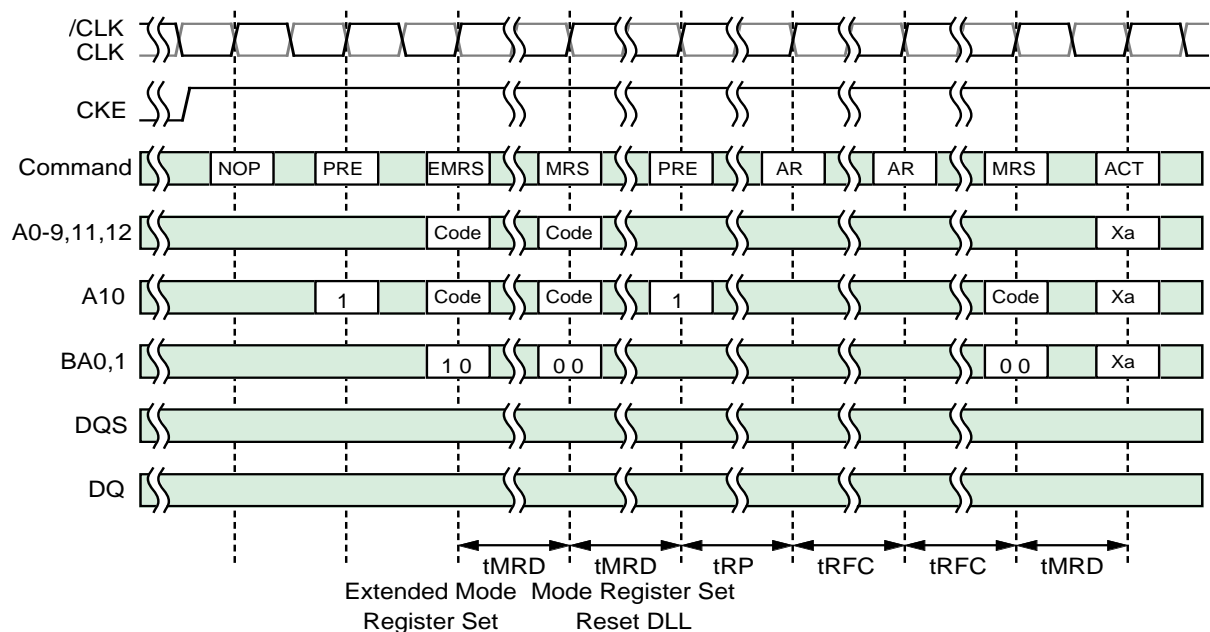
A2S56D40CTP (4-bank x 4,194,304 - word x 16-bit)

## [AUTO REFRESH]

Single cycle of auto-refresh is initiated with a REFA(/CS=/RAS=/CAS=L , /WE=CKE=H) command. The refresh address is generated internally . 8192 REFA cycles within 64ms refresh 256Mbits memory cells. The auto-refresh is performed on 4 banks concurrently. Before performing an auto-refresh , all banks must be in the idel state. Auto-refresh to auto-refresh interval is minimum tRFC. Any command must not be supplied to the device before tRFC from the REFA command.



## [Initialize and Mode Register sets]



## 256Mb DDR Synchronous DRAM

A2S56D20CTP (4-bank x 16,777,216 - word x 4-bit)

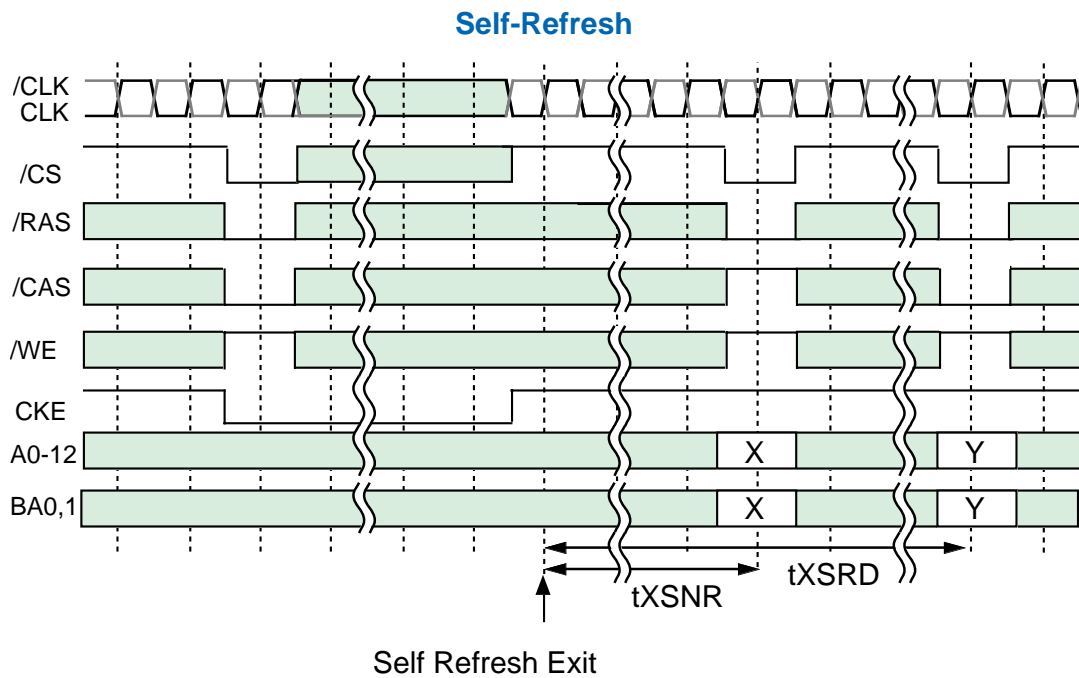
A2S56D30CTP (4-bank x 8,388,608 - word x 8-bit)

A2S56D40CTP (4-bank x 4,194,304 - word x 16-bit)

### [SELF REFRESH]

Self-refresh mode is entered by issuing a REFS command ( $/CS=/RAS=/CAS=L$ ,  $/WE=H$ ,  $CKE=L$ ).

Once the self-refresh is initiated, it is maintained as long as CKE is kept low. During the self-refresh mode, CKE is asynchronous and the only enable input, all other input including CLK are disable and ignored, so that power consumption due to synchronous input is saved. To exit the self-refresh, supplying stable CLK input, asserting DESEL or NOP command and then asserting CKE for longer than  $t_{XSNR}/t_{XSRD}$ .

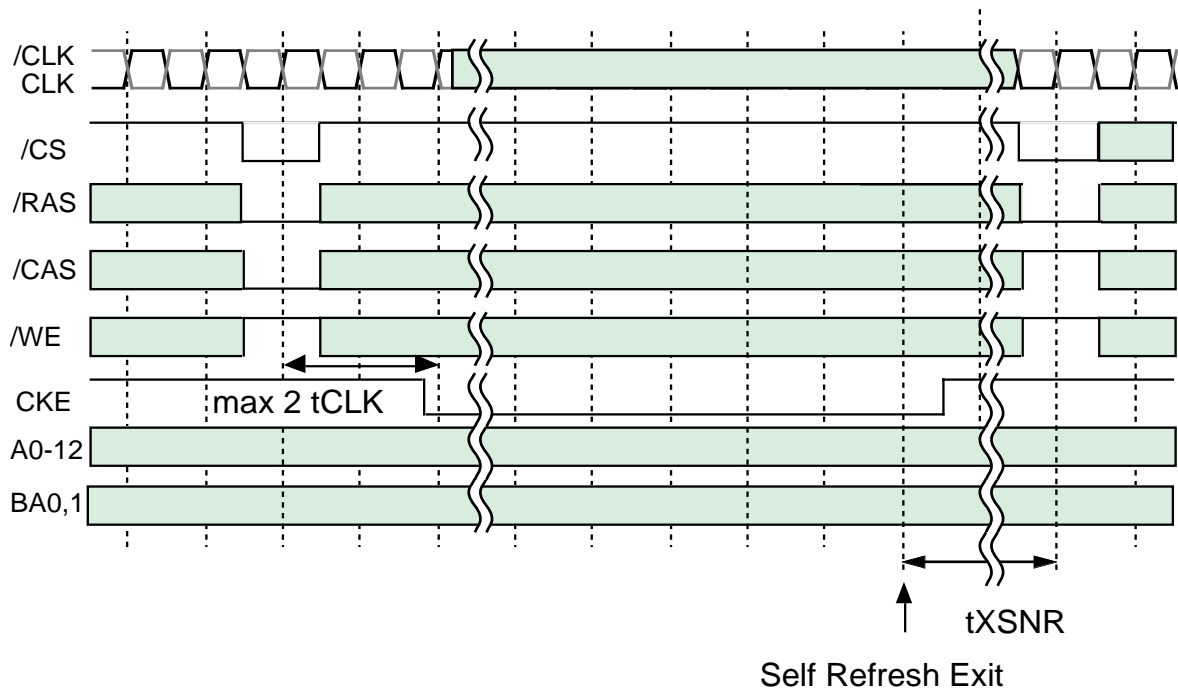


## [Asynchronous SELF REFRESH]

Asynchronous Self-refresh mode is entered by CKE=L within 2 tCLK after issuing a REFA command (/CS=/RAS=/CAS=L, /WE=H).

Once the self-refresh is initiated, it is maintained as long as CKE is kept low. During the self-refresh mode, CKE is asynchronous and the only enable input, all other inputs including CLK are disabled and ignored, so that power consumption due to synchronous input is saved. To exit the self-refresh, supplying stable CLK inputs, asserting DESEL or NOP command and then asserting CKE for longer than tXSNR/tXSRD.

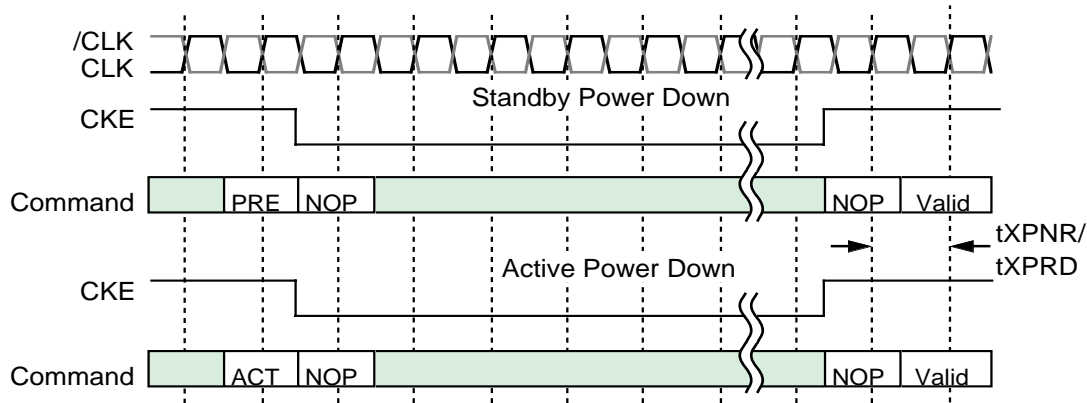
### Asynchronous Self-Refresh



## [POWER DOWN]

The purpose of CLK suspend is power down . CKE is synchronous input except during the self-refresh mode . A command at cycle is ignored . From CKE=H to normal function , DLL recovery time is NOT required in the condition of the stable CLK operation during the power down mode.

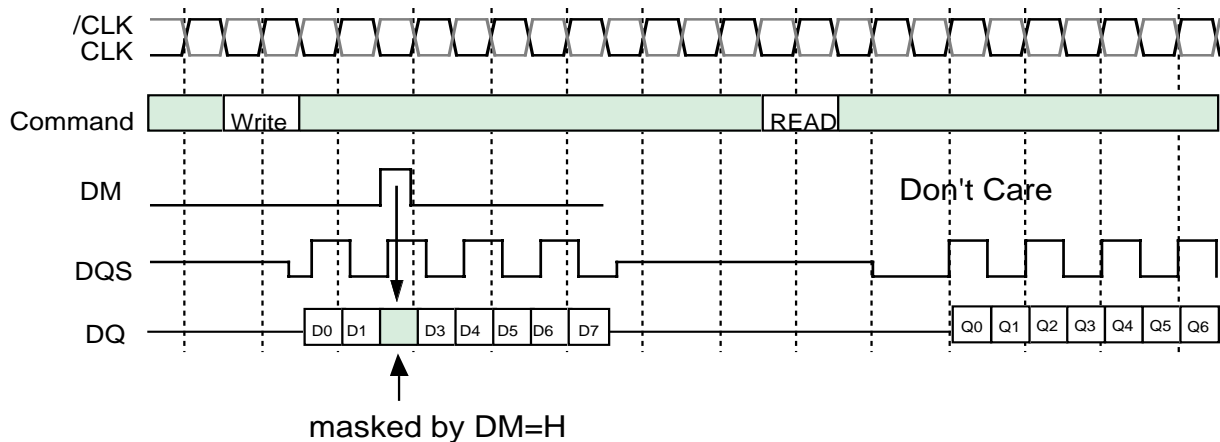
### Power Down by CKE



## [DM CONTROL]

DM is defined as the data mask for writes . During writes , DM masks input data word . DM to write mask latency is 0 .

### DM Function(BL=8 , CL=2)



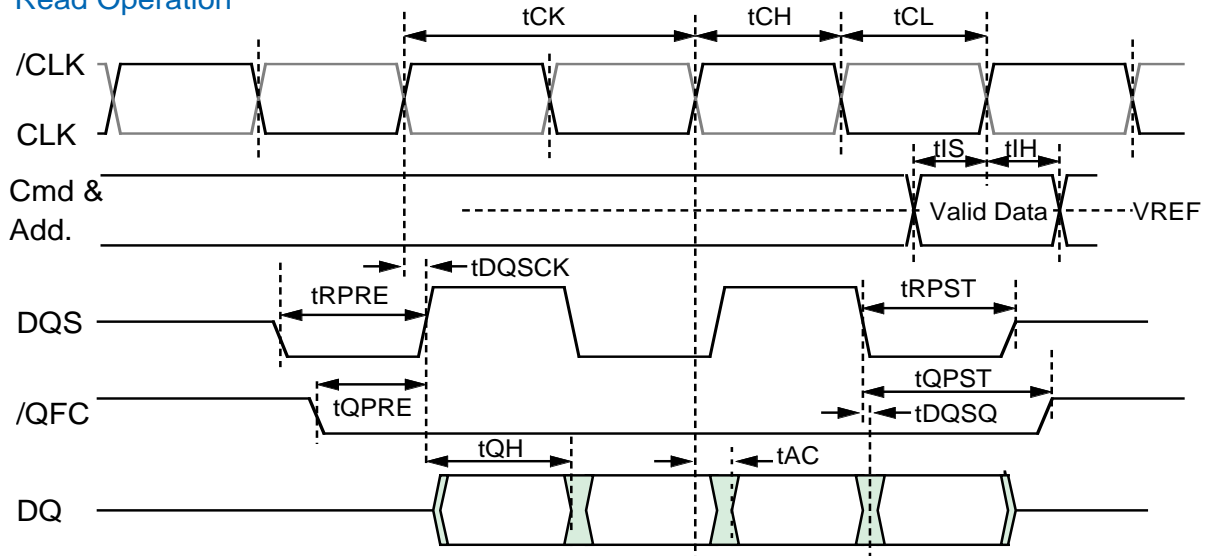
# 256Mb DDR Synchronous DRAM

A2S56D20CTP (4-bank x 16,777,216 - word x 4-bit)

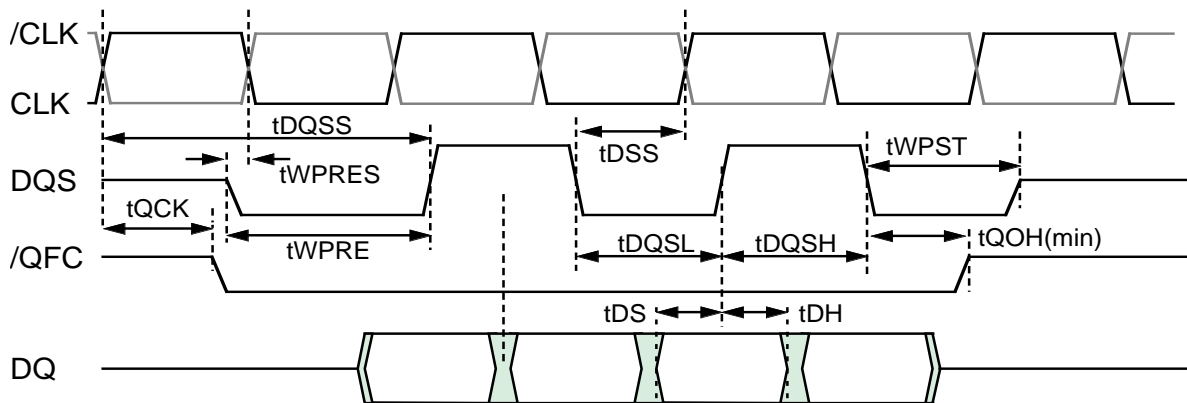
A2S56D30CTP (4-bank x 8,388,608 - word x 8-bit)

A2S56D40CTP (4-bank x 4,194,304 - word x 16-bit)

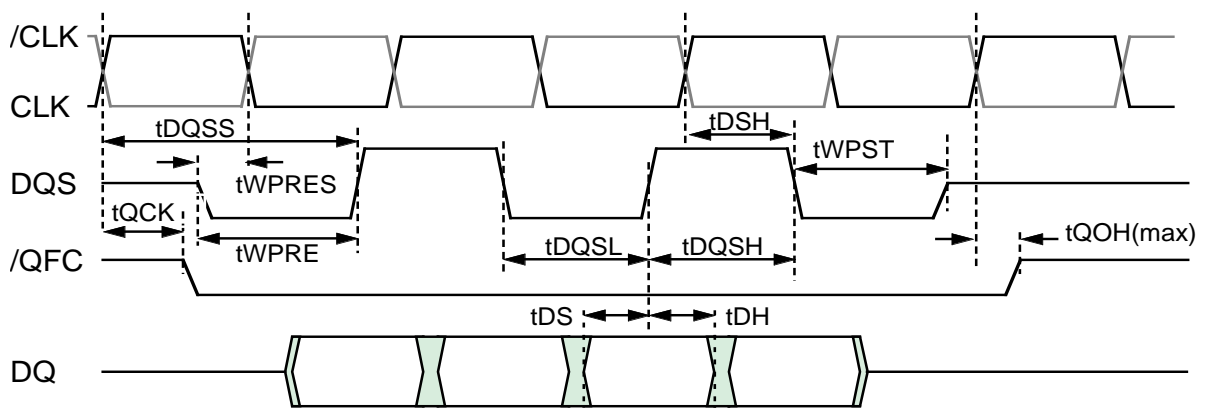
## Read Operation



## Write Operation / $t_{DQSS} = \max.$



## Write Operation / $t_{DQSS} = \min.$





## ABSOLUTE MAXIMUM RATINGS

Symbol	Parameter	Conditions	Ratings	Unit
Vdd	Supply Voltage	with respect to Vss	-0.5 ~ 3.7	V
VddQ	Supply Voltage for Output	with respect to VssQ	-0.5 ~ 3.7	V
VI	Input Voltage	with respect to Vss	-0.5 ~ Vdd+0.5	V
VO	Output Voltage	with respect to VssQ	-0.5 ~ Vdd+0.5	V
IO	Output Current		50	mA
Pd	Power Dissipation	Ta = 25 °C	1000	mW
Topr	Operating Temperature		0 ~ 70	°C
Tstg	Storage Temperature		-65 ~ 150	°C

## DC OPERATING CONDITIONS

(Ta=0 ~ 70°C, unless otherwise noted)

Symbol	Parameter	Limits			Unit	Notes	
		Min.	Typ.	Max.			
Vdd	Supply Voltage	-6,-75	2.3	2.5	2.7	V	
		-5	2.5	2.6			
VddQ	Supply Voltage for Output	-6,-75	2.3	2.5	2.7	V	
		-5	2.5	2.6			
Vref	Input Reference Voltage	-6,-75	0.49*VddQ		0.51*VddQ	V	5
		-5	[VddQ/2] -0.5		[VddQ/2] +0.5		
VIH(DC)	High-Level Input Voltage	-6,-75	Vref +0.18		VddQ+0.3	V	
		-5	Vref +0.15				
VIL(DC)	Low-Level Input Voltage	-6,-75	-0.3		Vref -0.18	V	
		-5		Vref -0.15			
VIN(DC)	Input Voltage,CLK and /CLK	-6,-75	-0.3		VddQ+0.3	V	
		-5					
VID(DC)	Input Differential Voltage,CLK and /CLK	-6,-75	0.36		VddQ+0.6	V	7
		-5					
VTT	I/O Termination Voltage	-6,-75	Vref - 0.04		Vref + 0.04	V	6
		-5					

## CAPACITANCE

(Ta=0 ~ 70°C, unless otherwise noted)

Symbol	Parameter	Test Condition	Limits		Unit	Notes
			Min.	Max.		
CI(A)	Input Capacitance, address pin	VI=1.25v f=100MHz VI=25mVrm	2.5	3.5	pF	11
CI(C)	Input Capacitance, control pin		2.5	3.5	pF	11
CI(K)	Input Capacitance, CLK pin		2.5	3.5	pF	11
CI/O	I/O Capacitance, I/O, DQS, DM pin		4.0	5.0	pF	11
CDI/O	Data I/O Capacitance,I/O,DQS,DM pin		-	0.5	pF	11
CO(QF)	Output Capacitance, /QFC		2.5	3.5	pF	11

# 256Mb DDR Synchronous DRAM

A2S56D20CTP (4-bank x 16,777,216 - word x 4-bit)

A2S56D30CTP (4-bank x 8,388,608 - word x 8-bit)

A2S56D40CTP (4-bank x 4,194,304 - word x 16-bit)

## AVERAGE SUPPLY CURRENT from Vdd

(Ta=0 ~ 70°C, unless otherwise noted)

Symbol	Parameter/Test Conditions	Organization	Limits(Max.)			Unit	Notes
			-5	-6	-75		
IDD0	OPERATING CURRENT: One Bank; Active-Precharge; t RC = t RC MIN; t CK = t CK MIN; DQ, DM and DQS inputs changing twice per clock cycle; address and control inputs changing once per clock cycle	ALL	130	95	90	mA	
IDD1	OPERATING CURRENT: One Bank; Active-Read-Precharge; Burst = 2; t RC = t RC MIN; CL = 2.5; t CK = t CK MIN; IOU= 0mA; Address and control inputs changing once per clock cycle	x4	140	115	105		
		x8	150	125	115		
		x16	170	145	135		
IDD2P	PRECHARGE POWER-DOWN STANDBY CURRENT: All banks idle; power-down mode; CKE ≤ VIL (MAX); t CK = t CK MIN	ALL	10	6	6		
IDD2F	IDLE STANDBY CURRENT: /CS ≥ VIH (MIN); All banks idle; CKE ≥ VIH (MIN); t CK = t CK MIN; Address and other control inputs changing once per clock cycle	ALL	42	35	35		
IDD3P	ACTIVE POWER-DOWN STANDBY CURRENT: One bank active; power-down mode; CKE ≤ VIL (MAX); t CK = t CK MIN	ALL	30	20	20		
IDD3N	ACTIVE STANDBY CURRENT: /CS ≥ VIH (MIN); CKE ≥ VIH (MIN); One bank; Active-Precharge; t RC = t RAS MAX; t CK = t CK MIN; DQ,DM and DQS inputs changing twice per clock cycle; address and other control inputs changing once per clock cycle	ALL	55	50	50		
IDD4R	OPERATING CURRENT: Burst = 2; Reads; Continuous burst; One bank active; Address and control inputs changing once per clock cycle; CL=2.5; t CK = t CK MIN; IOU = 0 mA	x4	245	215	160		
		x8	255	225	170		
		x16	270	245	210		
IDD4W	OPERATING CURRENT: Burst = 2; Writes; Continuous burst; One bank active; Address and control inputs changing once per clock cycle; CL=2.5; t CK = t CK MIN; DQ, DM and DQS inputs changing twice per clock cycle	x4	230	200	155		
		x8	240	210	165		
		x16	250	220	200		
IDD5	AUTO REFRESH CURRENT: t RC = t RFC (MIN)	ALL	195	140	140		
IDD6	SELF REFRESH CURRENT: CKE ≤ 0.2V	ALL	3	3	3	9	

## AC OPERATING CONDITIONS AND CHARACTERISTICS

(Ta=0 ~ 70°C, unless otherwise noted)

Symbol	Parameter/Test Conditions	Limits		Unit	Note
		Min.	Max.		
VIH(AC)	High-Level Input Voltage (AC)	-6,-75	Vref +0.35	V	
		-5	Vref +0.31		
VIL(AC)	Low-Level Input Voltage (AC)	-6,-75	Vref -0.35	V	
		-5	Vref -0.31		
VID(AC)	Input Differential Voltage, CLK and /CLK	0.7	V <sub>DDQ</sub> + 0.6	V	7
VIX(AC)	Input Crossing Point Voltage, CLK and /CLK	0.5*V <sub>DDQ</sub> -0.2	0.5*V <sub>DDQ</sub> +0.2	V	8
IOZ	Off-state Output Current /Q floating Vo=0~V <sub>DDQ</sub>	-5	5	μA	
II	Input Current / VIN=0 ~ VddQ	-2	2	μA	
IOH	Output High Current (Vout=1.95V)	-15.2		mA	
IOL	Output Low Current (Vout=0.35V)	15.2		mA	

## AC TIMING REQUIREMENTS

(Ta=0 ~ 70°C, unless otherwise noted)

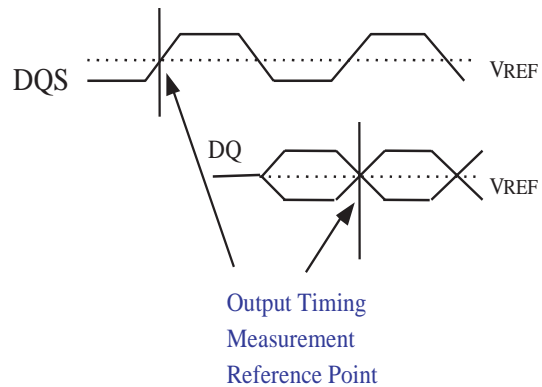
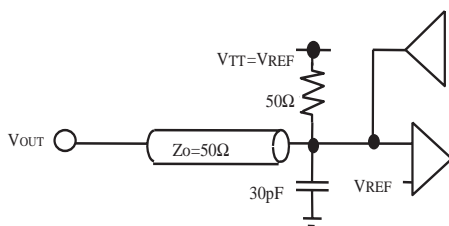
Symbol	AC Characteristics Parameter	-5		-6		-75		Unit	Notes	
		Min.	Max.	Min.	Max.	Min.	Max.			
tAC	Output access time from CLK//CLK	-0.7	0.7	-0.7	0.7	-0.75	0.75	ns		
tDQSK	DQ Output Valid data delay time from CLK//CLK	-0.55	0.55	-0.6	0.6	-0.75	0.75	ns		
tCH	CLK High level width	0.45	0.55	0.45	0.55	0.45	0.55	tCK		
tCL	CLK Low level width	0.45	0.55	0.45	0.55	0.45	0.55	tCK		
tHP	Clock half period	tCLmin or tCHmin		tCLmin or tCHmin		tCLmin or tCHmin			20	
tCK	CLK cycle time	CL=3	5	10	6	10	7.5	15	ns	
		CL=2.5	5	10	6	10	7.5	15	ns	
		CL=2	7.5	15	7.5	15	10	15	ns	
tDS	Input Setup time (DQ,DM)	0.4		0.45		0.5		ns		
tDH	Input Hold time(DQ,DM)	0.4		0.45		0.5		ns		
tHZ	Data-out-high impedance time from CLK//CLK	-	0.7	-0.7	0.7	-0.75	0.75	ns	14	
tLZ	Data-out-low impedance time from CLK//CLK	-0.7	0.7	-0.7	0.7	-0.75	0.75	ns	14	
tDQSQ	DQS-DQ skew (for DQS and associated DQ signals)		0.4		0.45		0.5	ns		
tDQSQ	DQS-DQ skew (for DQS and associated DQ signals)		0.4		0.45		0.5	ns		
tQH	Output DQS valid window	tHP-0.5		tHP-0.55		tHP-0.75		ns		
tDQSS	Write command to first DQS latching transition	0.72	1.28	0.75	1.25	0.75	1.25	tCK		
tDQSH	DQS input High level width	0.35		0.35		0.35		tCK		
tDQSL	DQS input Low level width	0.35		0.35		0.35		tCK		
tMRD	Mode Register Set command cycle time	10		12		15		ns		
tWPRES	Write preamble setup time	0		0		0		ns	16	
tWPST	Write postamble	0.4	0.6	0.4	0.6	0.4	0.6	tCK	15	
tWPRE	Write preamble	0.25		0.25		0.25		tCK		
tIS	Input Setup time (address and control)	0.6		0.8		0.9		ns	19	
tIH	Input Hold time (address and control)	0.6		0.8		0.9		ns	19	
tRPST	Read postamble	0.4	0.6	0.4	0.6	0.4	0.6	tCK		
tRPRE	Read preamble	0.9	1.1	0.9	1.1	0.9	1.1	tCK		
tDSS	DQS falling edge to CLK setup time	0.2		0.2		0.2		tCK		
tDSH	DQS falling edge hold time from CLK	0.2		0.2		0.2		tCK		
tDIPW	DQ and DM input puls width (for each input)	1.75		1.75		1.75		ns		

## AC TIMING REQUIREMENTS(Continuous)

(Ta=0 ~ 70°C, unless otherwise noted)

Symbol	AC Characteristics Parameter	-5		-6		-75		Unit	Notes
		Min.	Max.	Min.	Max.	Min.	Max.		
tRAS	Row Active time	40	120K	42	120K	45	120K	ns	
tRC	Row Cycle time(operation)	55		60		65		ns	
tRFC	Auto Ref. to Active/Auto Ref. command period	70		72		75		ns	
tRCD	Row to Column Delay	15		18		20		ns	
tRP	Row Precharge time	15		18		20		ns	
tRRD	Act to Act Delay time	10		12		15		ns	
tWR	Write Recovery time	15		15		15		ns	
tWTR	Internal Write to Read Command Delay	2		1		1		tCK	
tREFI	Average Periodic Refresh interval		7.8		7.8		7.8	μs	17
tXSNR	Exit Self Ref. to non-Read command	75		75		75		ns	
tXSRD	Exit Self Ref. to Read command	200		200		200		tCK	
tXPNR	Exit Power down to command	1		1		1		tCK	
tXPRD	Exit Power down to Read command	1		1		1		tCK	18
tDAL	Auto Precharge write recovery + precharge time	30		30		35		ns	

### Output Load Condition



## NOTES:

1. All voltages referenced to Vss.
2. Tests for AC timing, IDD, and electrical, AC and DC characteristics, may be conducted at nominal reference/supply voltage levels, but the related specifications and device operation are guaranteed for the full voltage range specified.
3. AC timing and IDD tests may use a VIL to VIH swing of up to 1.5V in the test environment, but input timing is still referenced to VREF (or to the crossing point for CK//CK), and parameter specifications are guaranteed for the specified AC input levels under normal use conditions. The minimum slew rate for the input signals is 1V/ns in the range between VIL(AC) and VIH(AC).
4. The AC and DC input level specifications are as defined in the SSTL\_2 Standard (i.e. the receiver will effectively switch as a result of the signal crossing the AC input level, and will remain in that state as long as the signal does not ring back above (below) the DC input LOW (HIGH) level.
5. VREF is expected to be equal to  $0.5 \cdot V_{ddQ}$  of the transmitting device, and to track variations in the DC level of the same. Peak-to-peak noise on VREF may not exceed  $\pm 2\%$  of the DC value.
6. VTT is not applied directly to the device. VTT is a system supply for signal termination resistors, is expected to be set equal to VREF, and must track variations in the DC level of VREF.
7. VID is the magnitude of the difference between the input level on CLK and the input level on /CLK.
8. The value of VIX is expected to equal  $0.5 \cdot V_{ddQ}$  of the transmitting device and must track variations in the DC level of the same.
9. Enables on-chip refresh and address counters.
10. IDD specifications are tested after the device is properly initialized.
11. This parameter is sampled.  $V_{ddQ} = +2.5V \pm 0.2V$ ,  $V_{dd} = +2.5V \pm 0.2V$ ,  $f = 100 \text{ MHz}$ ,  $T_a = 25^\circ\text{C}$ ,  $V_{OUT}(\text{DC}) = V_{ddQ}/2$ ,  $V_{OUT}(\text{PEAK TO PEAK}) = 25\text{mV}$ . DM inputs are grouped with I/O pins - reflecting the fact that they are matched in loading (to facilitate trace matching at the board level).
12. The CLK//CLK input reference level (for timing referenced to CLK//CLK) is the point at which CLK and /CLK cross; the input reference level for signals other than CLK//CLK, is VREF.
13. Inputs are not recognized as valid until VREF stabilizes. Exception: during the period before VREF stabilizes, CKE = $\leq 0.3V_{ddQ}$  is recognized as LOW.
14. tHZ and tLZ transitions occur in the same access time windows as valid data transitions. These parameters are not referenced to a specific voltage level, but specify when the device output is no longer driving (HZ), or begins driving (LZ).
15. The maximum limit for this parameter is not a device limit. The device will operate with a greater value for this parameter, but system performance (bus turnaround) will degrade accordingly.
16. The specific requirement is that DQS be valid (HIGH, LOW, or at some point on a valid transition) on or before this CLK edge. A valid transition is defined as monotonic, and meeting the input slew rate specifications of the device. When no writes were previously in progress on the bus, DQS will be transitioning from High-Z to logic LOW. If a previous write was in progress, DQS could be HIGH, LOW, or transitioning from HIGH to LOW at this time, depending on tDQSS.
17. A maximum of eight AUTO REFRESH commands can be posted to any given DDR SDRAM device.
18. tXPRD should be 200 tCLK in the condition of the unstable CLK operation during the power down mode.
19. For command/address and CK & /CK slew rate  $\geq 1.0\text{V/ns}$ .
20. Min (tCL,tCH) refers to the smaller of the actual clock low time and the actual clock high time as provided to the device.