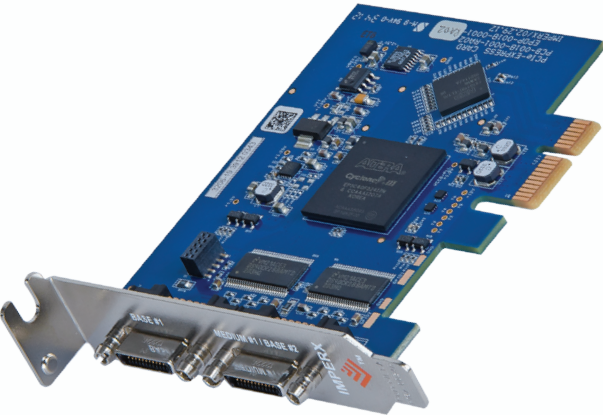


## Camera Link® PCIe x1 Card for Desktop PCs

### VCE-CLPCIe01

*Simultaneous acquisition from two Base Camera Link cameras or one Medium Camera Link camera. Uses intelligent DMA for fast, efficient use of the ExpressCard bandwidth with a flow-through pipelined architecture for low latency.*



**IMPERX** FrameLink PCIe x1 is a professional level video capture card that enables users to view and store in real time mega pixel video images from Camera Link sources onto desktop computers. IMPERX FrameLink PCIe x1 is capable of capturing single or multiple frames and standard AVI clips on up to two Base or one Medium CameraLink compliant video source. Each captured frame can be stamped with a user message along with the date and time of capture. A full software suite that includes drivers, C/C++, SDK, and an application program is provided with each FrameLink VCE-CLPCIe01 card.

**Features**

- PCIe x1 lane providing 2.5 Gbps of bandwidth
- Intelligent scatter/gather DMA for fast, efficient use of PCIe bandwidth and system memory
- Built in CC pulse generators
- Unique 'auto-learn' feature automatically recognizes camera parameters and simplifies CAM file creation
- Dynamic buffer allocation
- Selectable window sizes
- Adjustable RGB brightness and auto white balance
- Bayer pattern interpolation
- Captures single, multiple frames or AVI clips
- Normal or delay capture
- Date, time and text overlay
- BMP, TIFF, RAW or adjustable JPEG file format
- Image viewer with DVR controls

**Software**

Application program: Full featured, intuitive, easy to use GUI  
 Drivers: Win XP/2000/Vista/7/8, DirectX, Halcon, LabVIEW, Matlab  
 SDK: C/C++, COM, .NET, ActiveX - all with sample source code

**Video Source**

Uses two mini-CL (SDR/HDR) connectors  
 Base: 24 video data bits plus strobes and clock per channel  
 Medium: 48 video data bits plus strobes and clock per channel  
 4 camera control bits (CC1 to CC4) per channel  
 Bi-directional serial interface per channel

**Video Format**

Base: 1x8, 2x8, 3x8, 1x10, 2x10, 1x12, 2x12, 1x14, 1x16 and 3x8 (RGB24)  
 Medium: 4x8, 3x10, 4x10, 3x12, 4x12, RGB30 and RGB36  
 Monochrome and color: RGB, Bayer and TRUESENSE Sparse CFA

**Power**

3.3V DC +/-5%, 500 mA steady  
 1.65W constant power

**Environmental**

Operating temperature: 0°C to 65°C  
 Relative humidity: 90% non-condensing

**MTBF**

>330,000 hours @ 50°C

**Regulatory**

FCC part 15, Class B, CE, RoHS

**Mechanical**

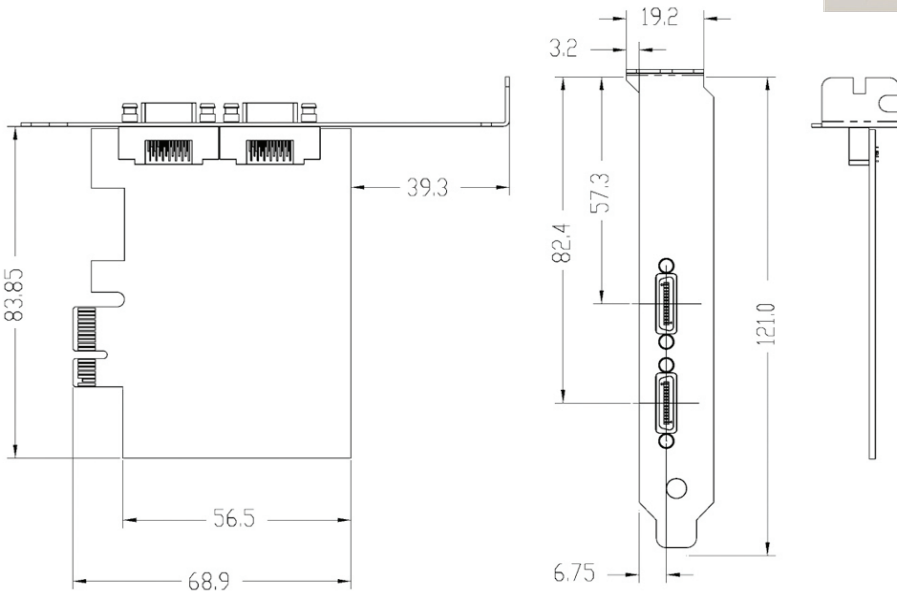
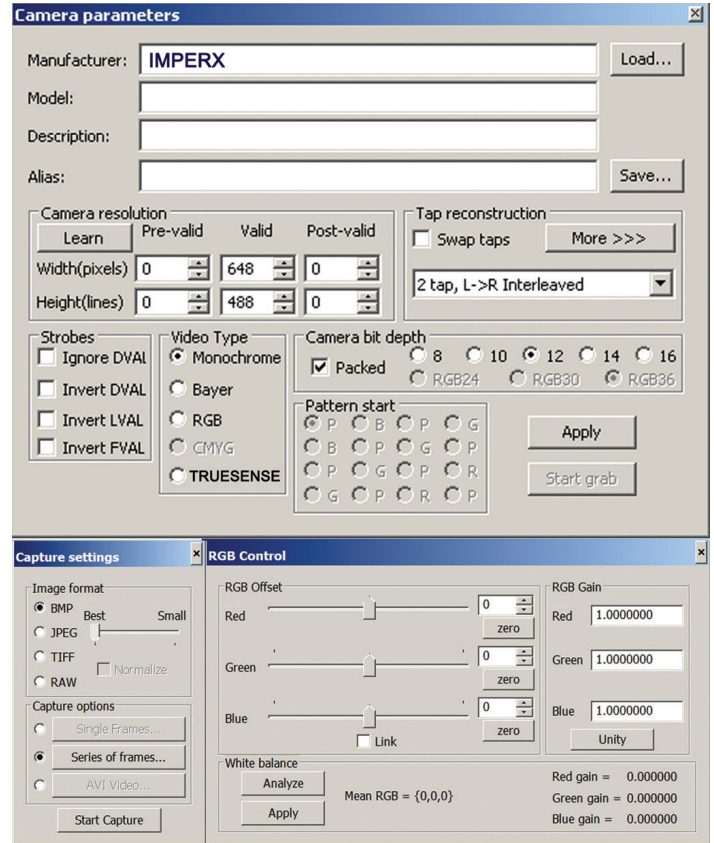
Low profile PCI Express form factor  
 Weight 1.59 oz., 45g



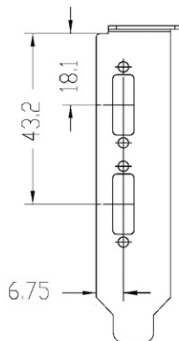


Order: VCE-CLPCle01

For specific details and ordering information, consult the FrameLink Express user's manual or contact IMPERX at sales@imperx.com.



ALSO SUPPLIED WITH LOW PROFILE BRACKET



VCE-CLPCle01, Rev 2