

Rack Adapter 3 units

Model 969-9191



The rack adapter shown in Fig. 1 is a 19" modular chassis system based on DIN 41494 part 5 manufactured by "Eurocard".

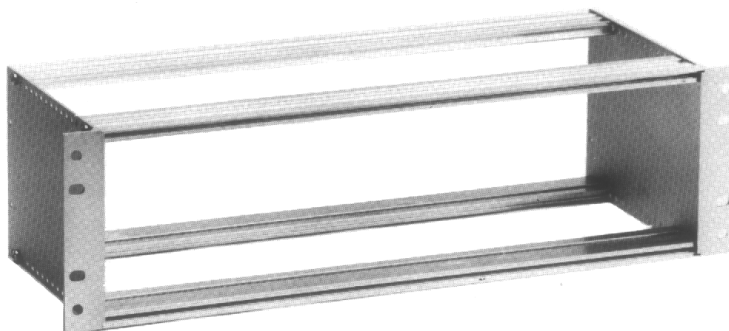


Fig. 1 - Rack adapter 3 units

The modular chassis accepts standard 3U control units and provides mechanical mounting in cases or racks corresponding to the dimensional requirements of 19" front panels (DIN 41494 part 1).

The basic structure of this modular chassis system provides a further advantage. The aluminum side panels are connected cross extrusions by four screws to give low-weight strength and stability. This system reduces mounting times and cuts mechanical systems down to a minimum.

Low chassis height provides easy mounting on chassis runners.

Telescopic slides may be fixed to standard mounting holes on the side panels.

Assemble the modular chassis as of Fig. 2 with the cross extrusion (3) so far enough to support the control units to be installed.

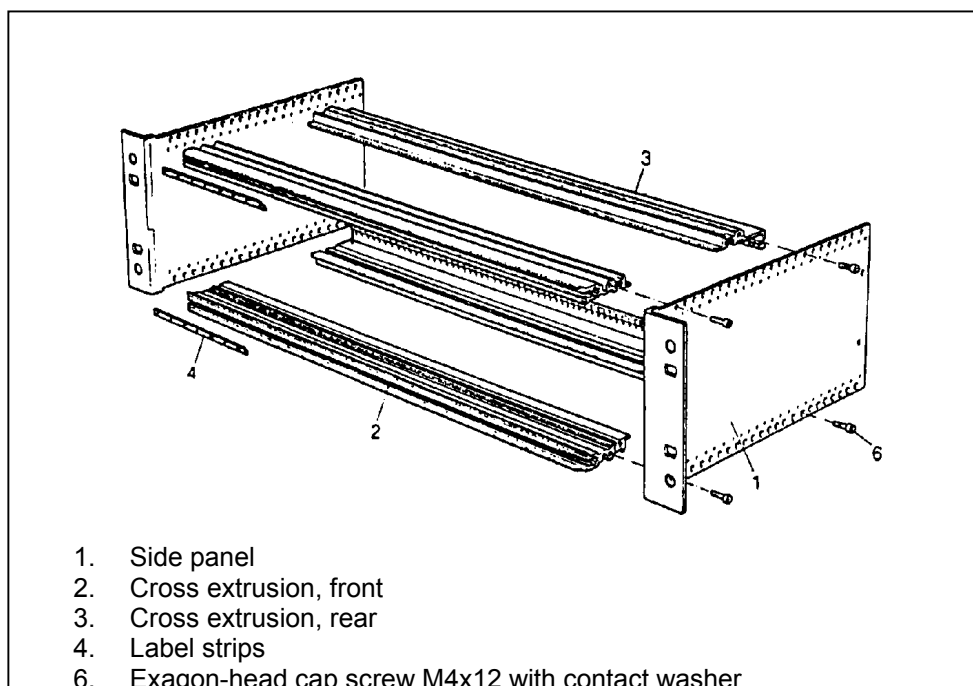
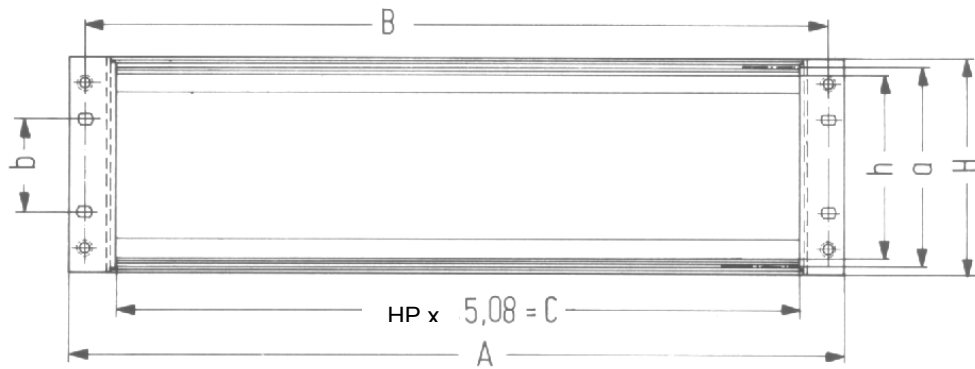


Fig. 2 - Modular chassis assembly

The outline dimensions for the modular chassis are shown in Fig. 3.



Mounting height 3U (dimensions mm/(inches))							
HP	A	B	C	H	a	b	h
84	<u>482.6</u> (19)	<u>465</u> (18.3)	<u>426.72</u> (16.8)	<u>132.5</u> (5.21)	<u>122.5</u> (4.82)	<u>57.15</u> (2.25)	<u>112.5</u> (4.42)

Fig. 3 - Outline dimensions

where

U (mounting height) is multiple of the height unit $1U = 44.45 \text{ mm} = 1\frac{3}{4}"$

HP (mounting width) is a multiple of the horizontal pitch (HP)

maximum of 84 HP

1 HP = 5.08 mm

Total width of the modular chassis = 482.6 mm = 19".