

Vibration Damper

Model 969-9340

VARIAN

Extremely low vibration amplitudes at the turbopump inlet flange are required for some sensitive applications, such as scanning electron microscopes, or analytical instrumentation.

Varian Turbo-V pumps have very low levels of vibration amplitude, but the vibration damper 969-9340 is useful when additional dampening of the vibration amplitude is required.

This vibration damper can be only used in conjunction with turbopumps with ISO 63 inlet flange.

It typically reduces the main vibration amplitude by a factor of 20.

It must be installed between pump and system, using the clamps provided in the kit (Fig. 1).

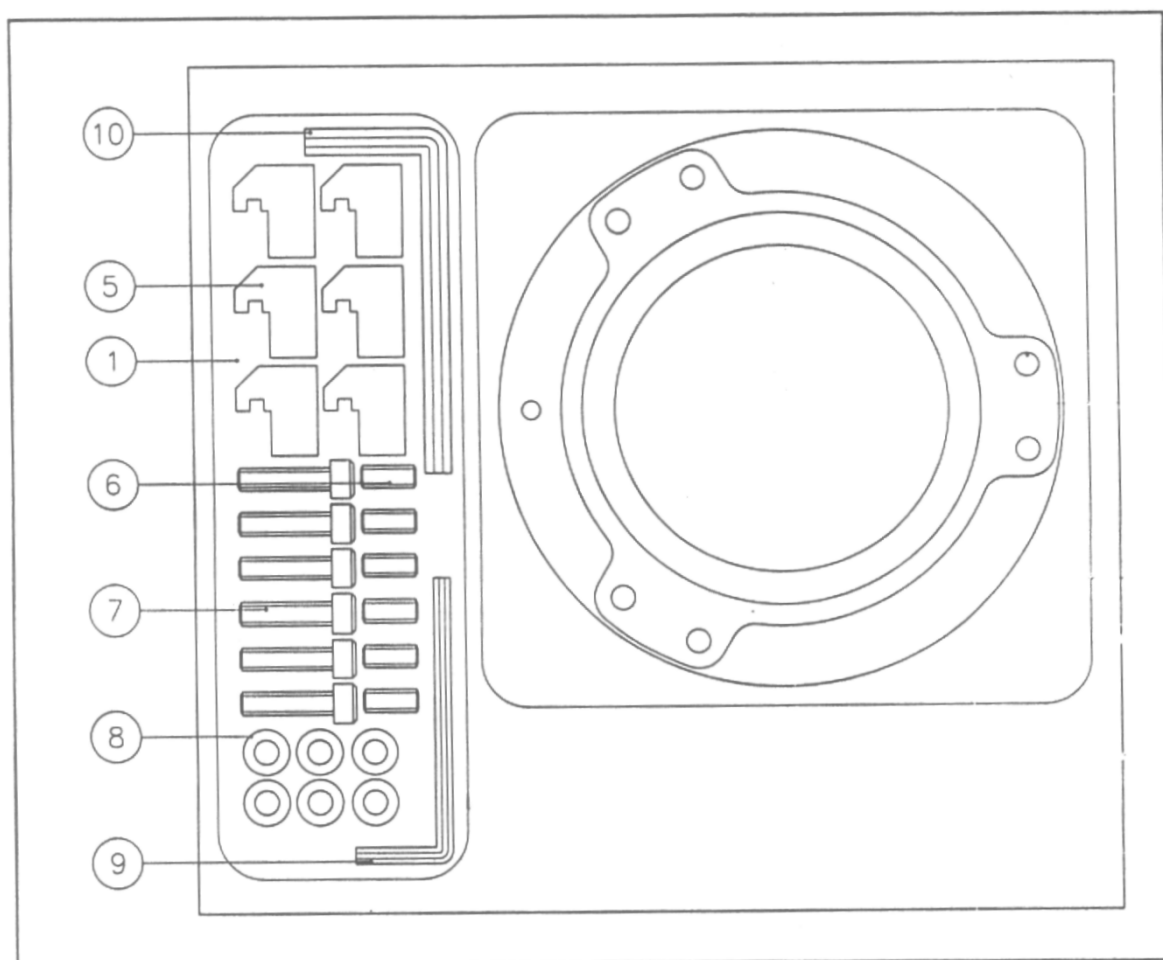


Fig. 1 - Vibration damper kit

Install first all six clamps (5) with the washers (8) and screws (7). Tight each screw using the Allen key (10) in turn and repeat sequential tightening until flange faces meet the damper.

Then insert set screw (6) and lock it, using both Allen keys on screw and set screw.

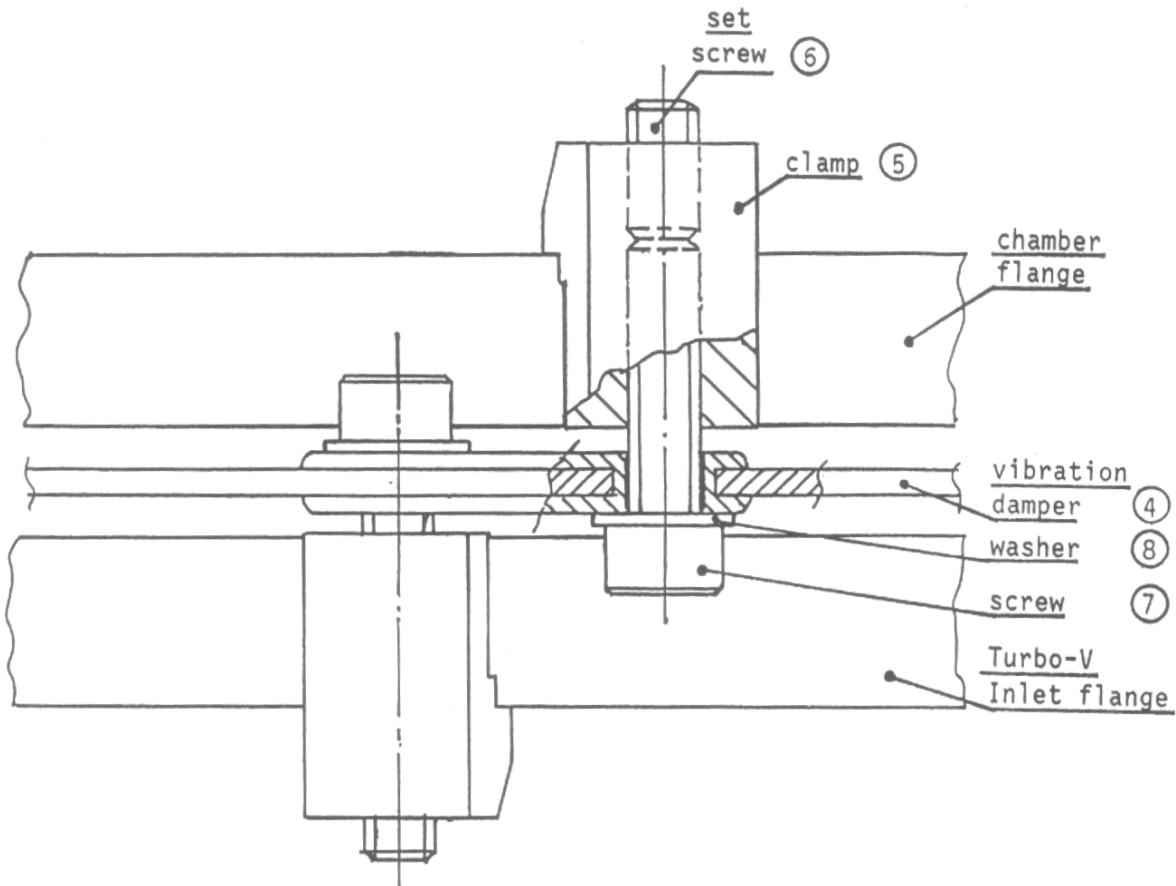


Fig. 2 - Vibration damper Installation