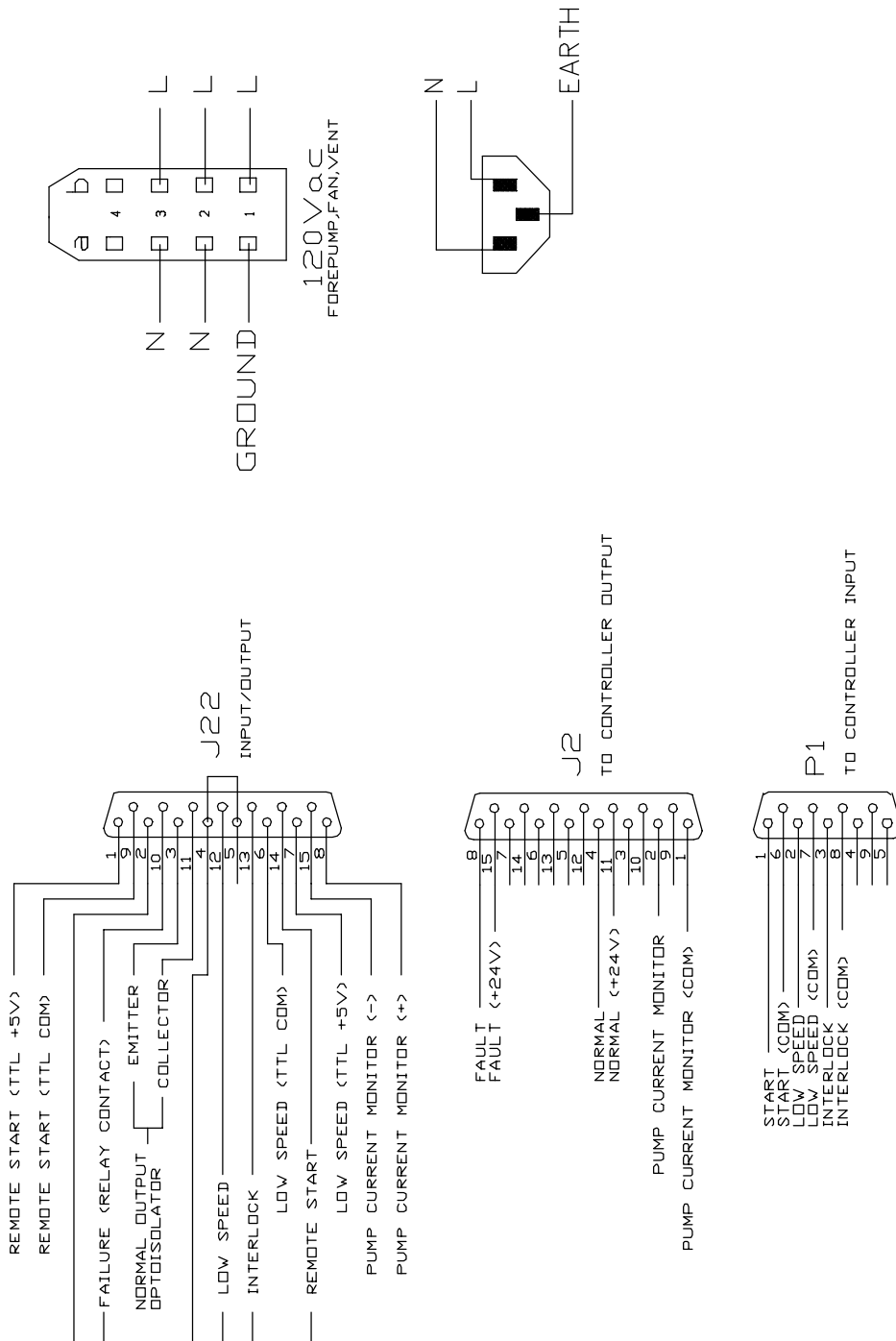




Turbo V I/O Adapter Interconnections

Note : This box is usable for Turbo-V 200 to 250, Turbo-V 450 to 550, Turbo-V 1000A to 1000HT



Turbo-V 200/450/1000A I/O Adapter Electrical Schematic

