

***Turbo-V 300***  
***75 Vdc***  
***Box Controller***

**Model SQ 275**

*INSTRUCTION MANUAL*

## ***Turbo-V 300 75 Vdc Box Controller***



**VARIAN**



*vacuum technologies*

*Dear Customer,*

*Thank you for purchasing a VARIAN vacuum product. At VARIAN Vacuum Technologies we make every effort to ensure that you will be satisfied with the product and/or service you have purchased.*

*As part of our Continuous Improvement effort, we ask that you report to us any problem you may have had with the purchase or operation of our product. On the back side you find a Corrective Action Request form that you may fill out in the first part and return to us.*

*This form is intended to supplement normal lines of communications and to resolve problems that existing systems are not addressing in an adequate or timely manner.*

*Upon receipt of your Corrective Action Request we will determine the Root Cause of the problem and take the necessary actions to eliminate it. You will be contacted by one of our employees who will review the problem with you and update you, with the second part of the same form, on our actions.*

*Your business is very important to us. Please, take the time and let us know how we can improve.*

*Sincerely,*

**Sergio PIRAS**

*Vice President and General Manager  
VARIAN Vacuum Technologies*

*Note: Fax or mail the Customer Request for Action (see backside page) to VARIAN Vacuum Technologies (Torino) - Quality Assurance or to your nearest VARIAN representative for onward transmission to the same address.*

**CUSTOMER REQUEST FOR CORRECTIVE / PREVENTIVE / IMPROVEMENT ACTION**

TO : VARIAN VACUUM TECHNOLOGIES TORINO - QUALITY ASSURANCE

FAX N° : XXXX - 011 - 9979350

ADDRESS: VARIAN S.p.A. - Via F.lli Varian, 54 - 10040 Leinì (Torino) - Italy

E-MAIL : marco.marzio@varianinc.com

NAME _____	COMPANY _____	FUNCTION _____
<p>ADDRESS : _____</p> <p>TEL. N° : _____ FAX N° : _____</p> <p>E-MAIL : _____</p>		
<p>PROBLEM / SUGGESTION :</p> <p>_____</p> <p>_____</p> <p>_____</p> <p>_____</p>		
<p>REFERENCE INFORMATION (model n°, serial n°, ordering information, time to failure after installation, etc.) :</p> <p>_____</p> <p>_____</p> <p>_____</p> <p style="text-align: right;">DATE _____</p>		

<p>CORRECTIVE ACTION PLAN / ACTUATION (by VARIAN VTT)</p> <p>_____</p> <p>_____</p> <p>_____</p> <p>_____</p> <p>_____</p>	<p>LOG N° _____</p>
--	---------------------

XXXX = Code for dialing Italy from your country ( es. 01139 from USA; 00139 from Japan, etc.)



SAFETY SUMMARY .....	1
INTRODUCTION .....	1
TECHNICAL INFORMATION .....	2
DESCRIPTION .....	2
TURBO-V 300 75 VDC BOX CONTROLLER DESCRIPTION .....	2
CONTROLLER SPECIFICATIONS .....	2
CONTROLLER OUTLINE .....	3
INSTALLATION .....	4
<i>Pump Connector</i> .....	4
<i>I/O Specifications</i> .....	4
<i>9-pin "D" Type Connector Pin Assignment</i> .....	4
<i>Serial Communication Port</i> .....	5
<i>RS 232 Communication Descriptions</i> .....	5
<i>Transmission Channel Characteristics</i> .....	5
<i>Message Structure</i> .....	5
<i>Examples</i> .....	6
<i>Serial Communication Windows</i> .....	7
OPERATION .....	8
<i>Switching on/off the Pump</i> .....	8
<i>Low Speed Activation/Deactivation</i> .....	8
MAINTENANCE .....	8
<i>Error Messages</i> .....	8
<i>Error Code Table</i> .....	8
PCB JUMPERS .....	9

**INTRODUCTION**

Operators and service personnel must be aware of all hazards associated with this equipment. They must know how to recognize hazardous and potentially hazardous conditions, and know how to avoid them. The consequences of unskilled, improper, or careless operation of the equipment can be serious.

This product must only be operated and maintained by trained personnel. Every operator or service person must read and thoroughly understand operation/maintenance manuals and any additional information provided by Varian.

All warnings and cautions should be read carefully and strictly observed. Address any safety, operation, and/or maintenance questions to your nearest Varian office.

The following format is used in this manual to call attention to hazards:



Warnings are used when failure to observe instructions or precautions could result in injury or death.

---



Cautions are used when failure to observe instructions could result in damage to equipment, whether Varian supplied or other associated equipment.

---

---

**NOTE**

*Information to aid the operator in obtaining the best performance from the equipment.*

---

**DESCRIPTION**

The Turbo-V 300 box controller is a microprocessor-controlled, solid-state, frequency converter with self-diagnosis and protection features.

The controller drives the Turbo-V 300 pump series by controlling the voltage and current respect to the speed reached by pump.

It incorporates all the facilities required for the operation of the Turbo-V 300 pump series: pump start/stop, digital current and speed control, analog signals for external indicators.

The power is externally supplied.

All the input/output connections are performed on:

- 9 pin "D" type male connector attached to a cable 400 mm long for I/O and Electrical DC supply.
- Pump connection with 400 mm long cable.
- 9 pin "D" type connector for RS232 connection.

**TURBO-V 300 75 VDC BOX CONTROLLER DESCRIPTION**

The controller is a solid-state frequency converter which is driven by a single chip microcomputer and is composed of a PCB which includes all the circuitry necessary for its operation.

The microcomputer generates the variable output voltage according to the software and the gas load condition of the pump.

Moreover, it manages signals from sensors, input/output connection information, and gives output for a fully automatic operation.

The controller can be operated via remote signals through an RS-232 connection.

The controller can be operated in local mode through suitable switches connected between the input pins of the TV300 connector.

**CONTROLLER SPECIFICATIONS**

Input:	
- Voltage	75 Vdc with 2 Vpp max ripple
- Current	3.0 A max.
Fuse	T 3 A
Output:	
- Voltage	80 Vac nominal $\pm 10\%$ , 3-phase
- Frequency	933 Hz, $\pm 2\%$
- Power	165 W maximum
Compliance to Norms:	
- Radio interferences	EN 55011 Class Group 1
- ESD	EN 61000/4/2
- BURST	EN 61000/4/4
- Radiated RF immunity	EN 61000/4/3
- Safety	EN 61010/1
Installation category	II
Operating temperature	0°C to + 40 °C
Storage temperature	-20°C to + 70°C
Cooling	Internal fan
Weight	0.5 Kg (1.1 lbs)

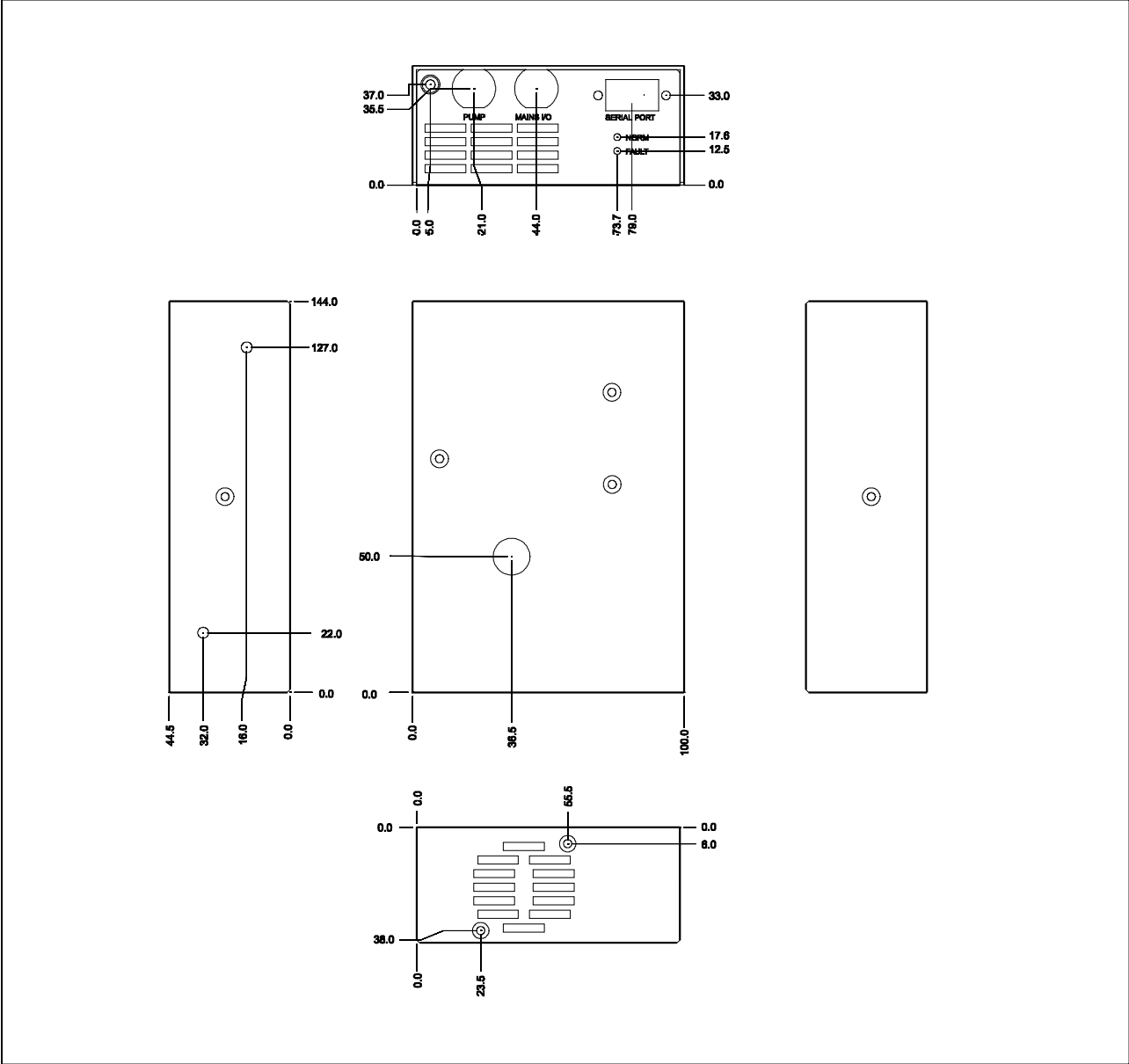


**WARNING!**

There can be 75 Vdc voltage referred to ground on the pump cable or on the serial connector.

**CONTROLLER OUTLINE**

The outline dimension for the controller are shown in the following figure:



Controller outline



**INSTALLATION**

Inspect the controller for any shipping damage.

Should the controller be connected to a host computer via the-RS-232 interface, a suitable cable must be prepared.

In the following paragraphs are detailed the input/output signals.

**NOTE**

The box installed into the customer system must be positioned so that cold air (forced or natural convection) can flow around.

**Pump Connector**

The signals of J3 connector are the following:

- **Pin C** 80 Vac 3-phase output to pump motor stator (phase T).
- **Pin D** 80 Vac 3-phase output to pump motor stator (phase S).
- **Pin B** 80 Vac 3-phase output to pump motor stator (phase R).
- **Pins A/F** Pump temperature sensor.
- **Pin E** Ground

**I/O Specifications**

START/STOP:	
- START command	Low <0.8 Vdc
- STOP command	High 4 to 15 Vdc
Analog output:	0 to 10 Vdc (proportional to speed) *
	(0 to 10 V ≡ 0 to 100% speed)
- Output impedance	0.1 Ω
- Minimum load:	2 KΩ (5 mA)
Normal operation signal:	
- Open Collector	Speed <80%: OFF (pull-up to 15 Vdc)
	Speed >80%: ON (<0.8 Vdc)
Current rating	60 mA max
Low speed command:	Low (<0.8 Vdc)

**9-pin "D" Type Connector Pin Assignment**

Pin number	Description
1	Start/Stop input: close to pin 5/6 to start the pump
2	Pump in Normal output: closed to pin 5/6 when pump speed is higher than 80% of full speed
3	Earth (Ground)
4	Analog output proportional to pump speed (positive)
5-6	Electrical supply (0 V)
9	Low speed input: close to pin 5/6 to select Low Speed mode
7-8	Electrical supply (75 V) (positive)

\* Minimum speed reading in STOP condition = 100 Hz (6 KRPM)

**Serial Communication Port**

Communication serial port connections and minimum connection configuration are shown in the following figures. The communication port mating connector is supplied with the RS 232 PCB (AMP/Cannon or equivalent 9-pin "D" type male connector). The external cable (not supplied) between the host computer and the controller does not require crossed wires so that signals are connected correctly .

For example, the Transmit data signal from controller (pin 2) must be connected to the host computer's Receive data line (pin 2) and vice versa. Consult the host computer's instruction manual for its serial port connections

**NOTE**

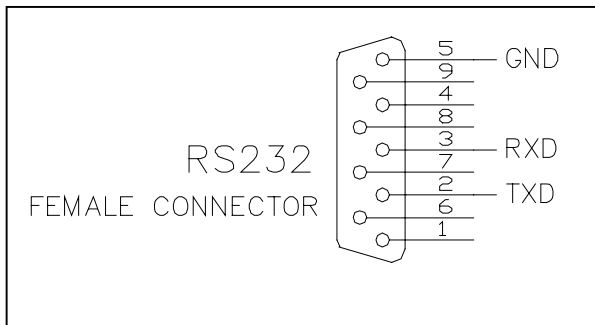
Varian cannot guarantee compliance with FCC regulations for radiated emissions unless all external wiring is shielded, with the shield being terminated to the metal shroud on the O-subconnector. The cable should be secured to the connector with screws.



**WARNING!**

In order to avoid possible conflicts on the Serial Line, it is advisable to use a 3 wire shielded cable for the TxD, RxD and GND connections and to leave all the other pins unconnected.

**RS 232 Communication Descriptions**



Communication RS 232 serial port connections

**Transmission Channel Characteristics**

levels: RS 232/RS 422  
 baud rate: 9600/4800 programmable by a jumper on the board  
 character length: 8 bits  
 parity: none  
 stop bit: 1 bit  
 protocol: master (PC) / slave (converter)

In this case the value to be assigned to the ADDRESS field must be 80 hex (for RS 232).

**Message Structure**

(request and answer have the same format)

The master system (PC) starts every session sending the following message to the slave units connected:

<STX> / <ADDR> + <WINDOW> + <COMMAND> + <DATA> + <ETX> + <CRC>

where:

- <STX>= 0x02
- <ADDR> = 0x80 (for RS 232 and RS 422 only)
- <ADDR> = 0x80 + device number (0...31)
  - 0xFF: broadcasting command (recognized by all the devices, it doesn't implicate any answer) (for RS 485 only)
- <WINDOWS>= '000'...' 999' window number the meaning of the window depends to the device type
- <COMMAND>= 0x30 :window value reading  
0x31 :window writing
- <DATA> = alphanumeric ASCII string containing, in the case of writing operation, the parameter to input into the window addressed by the field <WINDOW>This field may have variable length according to the data type contained in the window where you are working in. In the case of reading request of a window, the data field doesn't exist.
- <ETX>= 0x03
- <CRC>= XOR among all the characters following <STX>=(with exception of <STX>), including the end character <ETX> hexadecimally encoded by two ASCII characters.

When a slave device is addressed by the master:

- 1) In case of reading request of the value contained in a window, the slave answers a string equal to the one sent by the master but in addition there is the field <DATA> containing the value of the window. The format of the field <DATA> depends to the window type.

The different types are:

	Length	Characters Permitted
Logic (L)	1	'0'=OFF '1'=ON
Numeric (N)	6	'0'...'9' (Justified to the right with '0')
Alphanumeric (A)	max 10	' '...' ' _

**Examples**

Command : START  
Source : PC  
Destination : Inverter

02	80	30	30	30	31	31	03	42	33
STX	ADDR	WINDOW	WR	ON	ETX	CRC			

Source : Inverter  
Destination : PC

02	80	06	03	38	35
STX	ADDR	ACK	ETX	CRC	

Command : STOP  
Source : PC  
Destination : Inverter

02	80	30	30	30	31	30	03	42	32
STX	ADDR	WINDOW	WR	OF	F	ETX	CRC		

Source : Inverter  
Destination : PC

02	80	06	03	38	35
STX	ADDR	ACK	ETX	CRC	

Command : SOFT-START (ON)  
Source : PC  
Destination : Inverter

02	80	31	30	30	31	31	03	42	32
STX	ADDR	WINDOW	WR	ON	ETX	CRC			

Source : Inverter  
Destination : PC

02	80	06	03	38	35
STX	ADDR	ACK	ETX	CRC	

Command : SOFT-START (OFF)  
Source : PC  
Destination : Inverter

02	80	31	30	30	31	30	03	42	33
STX	ADDR	WINDOW	WR	OF	F	ETX	CRC		

Source : Inverter  
Destination : PC

02	80	06	03	38	35
STX	ADDR	ACK	ETX	CRC	

Command : CURRENT  
Source : PC  
Destination : Inverter

02	80	32	30	30	30	03	38	31
STX	ADDR	WINDOW	RD	ETX	CRC			

Source : Inverter  
Destination : PC

02	80	32	30	30	30	30	30	30	2E	30	30	03	39	44
STX	ADD	WINDOW	RD	000.00						ETX	CRC			

Command : FREQUENCY  
Source : PC  
Destination : Inverter

02	80	32	30	33	30	03	38	32
STX	ADDR	WINDOW	RD	ETX	CRC			

Source : Inverter  
Destination : PC

02	80	32	30	33	30	30	30	30	30	34	32	03	38	34
STX	ADD	WINDOW	RD	000042						ETX	CRC			

Command : ERR-CODE  
Source : PC  
Destination : Inverter

02	80	32	30	36	30	03	38	37
STX	ADDR	WINDOW	RD	ETX	CRC			

Source : Inverter  
Destination : PC

02	80	32	30	36	30	30	30	30	30	30	30	03	38	37
STX	ADD	WINDOW	RD	000000						ETX	CRC			

Serial Communication Windows

WIN	TYPE	R	W	Description
000	L	X	X	START/STOP (1= START ; 0= STOP)
008	L	X	X	REMOTE/SERIAL Configuration (1= Remote ; 0= Serial)
100	L	X	X	SOFT START YES/NO (1= YES ; 0= NO) <span style="float:right">Default= 0</span>
107	L	X	X	ACTIVE STOP (0=NO; 1=YES) <span style="float:right">Default= 1</span>
108	N	X	X	BAUD RATE (3-4) [4800-9600] <span style="float:right">Default= 4</span>
109	L		X	PUMP LIFE RESET [Write "1" to Reset]
120	N	X	X	SET ROTATIONAL FREQUENCY [Hz] $150 \text{ Hz} \leq F_{\text{imp}} \leq F_{\text{MAX}}$
121	N	X	X	MAX SETTABLE ROTATIONAL FREQUENCY [Hz] $F \leq F_{\text{MAX\_ABS}}$
130	N	X		RAMP CURRENT [mA]
200	N	X		CURRENT [mA]
201	N	X		VOLTAGE[V]
202	N	X		POWER [W]
203	N	X		DRIVING FREQUENCY [Hz]
204	N	X		PUMP TEMPERATURE [°C]
205	N	X		STATUS [0=stop; 1=interlock; 2=ramp; 3=regulation; 4=brake; 5=normal; 6=failure]
206	N	X		ERROR CODE: <div style="display: flex; align-items: center; justify-content: center; margin-top: 10px;"> <div style="margin-right: 20px;"> <p>Too high load</p> <p>Short circuit</p> <p>SoftStart Not Ended</p> <p>RunUpTime Not Reached</p> </div> <div style="margin-left: 20px;"> <p>No connection</p> <p>Pump overtemp</p> <p>Controller overtemp</p> <p>Power fail</p> </div> </div>
211	N	X		PUMP SENSOR TEMPERATURE READING [208= 25°C - 128= 60°C]
216	N	X		AMBIENT SENSOR TEMPERATURE READING
300	N	X		CYCLE TIME [min]
301	N	X		CYCLE NUMBER
302	N	X		PUMP LIFE [h]
319	A	X		Controller Model
320	A	X		Base Pump Model Number (8 characters)
321	A	X		Modified Standard Model Number (4 characters)
323	A	X		Controller Serial Number (5 characters)
325	A	X		Electrical Modification Level (10 characters)
400	A	X		CRC PROGRAM LISTING [QE7xxxx]
401	A	X		CRC BOOTLOADER [BL1xxxx]
402	A	X		CRC PARAMETER LISTING [PA7xxxx]
404	A	X		CRC FILE PARAMETER STRUCTURE
406	A	X		PROGRAM LISTING CODE & REVISION
407	A	X		PARAMETER LISTING CODE & REVISION
500	L		X	MONITOR MODE

WIN = Window  
 R = Read  
 W = Write

L = Logical  
 N = Numeric  
 A = Alphanumeric

**OPERATION**

Make all vacuum manifold and electrical connections and refer to Turbo-V pump instruction manual prior to operating the Turbo-V controller.



**WARNING!**

To avoid injury to personnel and damage to the equipment, if the pump is laying on a table make sure it is steady.  
 Never operate the Turbo-V pump if the pump inlet is not connected to the system or blanked off.

The controller operates completely automatically after the remote start command is given.

**Switching on/off the Pump**

To switch on the pump it is necessary to short circuit pin 1 and pins 5-6 (ground) of the 9 pin "D" type connector.

To switch off the pump it is necessary to remove the short circuit between pins 1 and 5-6.

Analog output: 0 to 10 Vdc proportional to speed (0 to 10 V  $\equiv$  0 to 100% speed).  
 This output is active also during the pump "slow down" phase after a Stop command.

**Low Speed Activation/Deactivation**

To activate the Low Speed status it is necessary to connect pin 9 of the 9-pin connector to pin 5-6 (ground) of the 9-pin "D" type connector.

To deactivate the Low Speed status it is necessary to disconnect pin 9 from pin 15 (ground) of the same connector.

The low speed frequency is equal to 622 Hz.

**MAINTENANCE**

Replacement controllers are available on an advance exchange basis through Varian. If necessary, information is provided to aid the operator in determining malfunctions and corrective steps to be taken.



**WARNING!**

In order Voltages developed in the unit are dangerous and may be fatal. Service must be performed by authorized personnel only.

**Error Messages**

For a certain type of failure, the controller will self-diagnose the error and the following messages will be displayed.

The controller signals the error occurred by means of a diagnostic LED located on the box (FAULT), and on the RS 232 port.

The LED blinks in a coded mode: it flashes a number of time equal to the error code (see the following table) and then stays off, and so on.

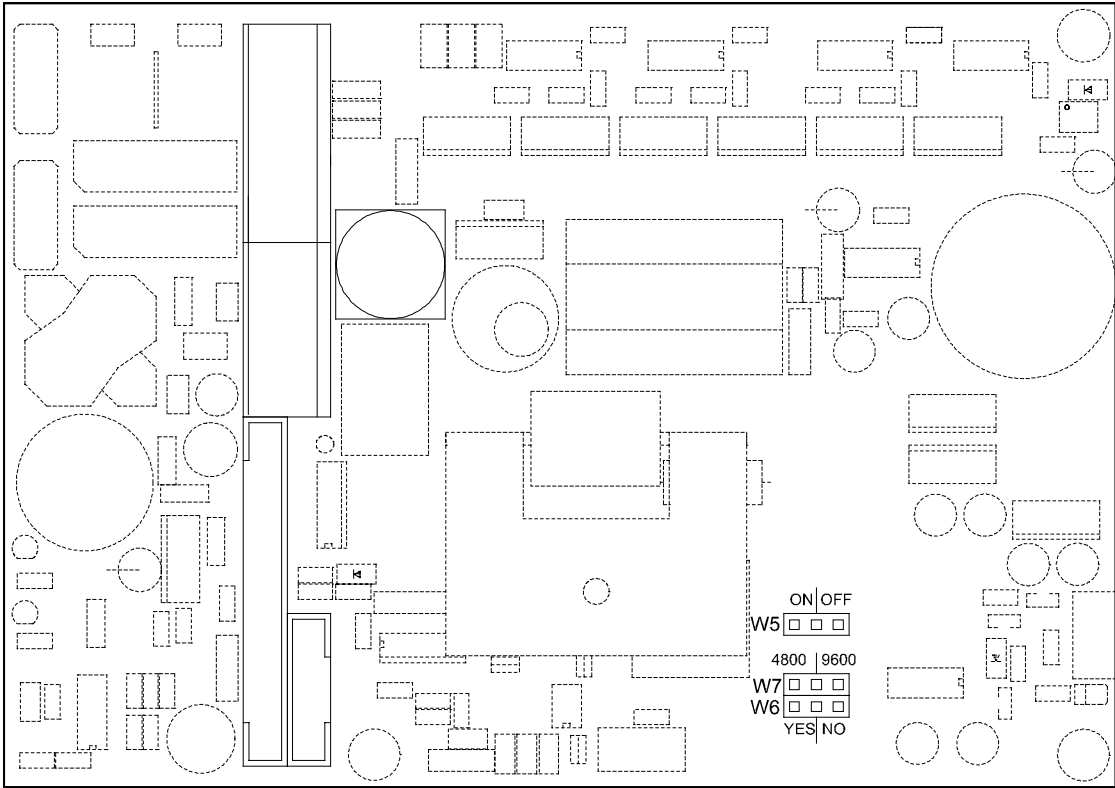
**"Status" LED (on the box)**

OFF in STOP  
 Blinking in STARTING  
 ON in NORMAL

**Error Code Table**

LED BLINKING NUMBER	DESCRIPTION
0	No error
1	Output overcurrent
2	Not connected pump
3	Pump overtemperature
4	Controller overtemperature
5	Run-up overtime
6	Soft start overtime
7	Too High Load
8	Power Failure

PCB JUMPERS



W5 = FLASH EPROM PROGRAMMING  
W6 = SOFT START SELECTION  
W7 = BAUD RATE SELECTION



# Request for Return



1. A Return Authorization Number (RA#) **WILL NOT** be issued until this Request for Return is completely filled out, signed and returned to Varian Customer Service.
2. Return shipments shall be made in compliance with local and international **Shipping Regulations** (IATA, DOT, UN).
3. The customer is expected to take the following actions to ensure the **Safety** of workers at Varian: (a) Drain any oils or other liquids, (b) Purge or flush all gasses, (c) Wipe off any excess residues in or on the equipment, (d) Package the equipment to prevent shipping damage, (for Advance Exchanges please use packing material from replacement unit).
4. Make sure the shipping documents clearly show the RA# and then return the package to the Varian location nearest you.

### North and South America

Varian Vacuum Technologies  
 121 Hartwell Ave  
 Lexington, MA 02421  
 Phone : +1 781 8617200  
 Fax: +1 781 8609252

### Europe and Middle East

Varian SpA  
 Via Flli Varian 54  
 10040 Leini (TO) – ITALY  
 Phone: +39 011 9979111  
 Fax: +39 011 9979330

### Asia and ROW

Varian Vacuum Technologies  
 Local Office

### **CUSTOMER INFORMATION**

Company name: .....	
Contact person: Name: .....	Tel: .....
Fax: .....	E-Mail: .....
Ship Method: .....	Shipping Collect #: ..... P.O.#: .....
<u>Europe only:</u> VAT reg. Number: .....	<u>USA only:</u> <input type="checkbox"/> Taxable <input type="checkbox"/> Non-taxable
Customer Ship To: .....	Customer Bill To: .....
.....	.....
.....	.....

### **PRODUCT IDENTIFICATION**

Product Description	Varian P/N	Varian S/N	Purchase Reference

### **TYPE OF RETURN** (check appropriate box)

<input type="checkbox"/> Paid Exchange	<input type="checkbox"/> Paid Repair	<input type="checkbox"/> Warranty Exchange	<input type="checkbox"/> Warranty Repair	<input type="checkbox"/> Loaner Return
<input type="checkbox"/> Credit	<input type="checkbox"/> Shipping Error	<input type="checkbox"/> Evaluation Return	<input type="checkbox"/> Calibration	<input type="checkbox"/> Other .....

### **HEALTH and SAFETY CERTIFICATION**

Varian Vacuum Technologies **CAN NOT ACCEPT** any equipment which contains **BIOLOGICAL HAZARDS** or **RADIOACTIVITY**. Call Varian Customer Service to discuss alternatives if this requirement presents a problem.

The equipment listed above (check one):

**HAS NOT** been exposed to any toxic or hazardous materials

OR

**HAS** been exposed to any toxic or hazardous materials. In case of this selection, check boxes for any materials that equipment was exposed to, check all categories that apply:

- Toxic    Corrosive    Reactive    Flammable    Explosive    Biological    Radioactive

List all toxic or hazardous materials. Include product name, chemical name and chemical symbol or formula.

.....

Print Name: ..... Customer Authorized Signature: .....

Print Title: ..... Date: ...../...../.....

**NOTE:** If a product is received at Varian which is contaminated with a toxic or hazardous material that was not disclosed, **the customer will be held responsible** for all costs incurred to ensure the safe handling of the product, and **is liable** for any harm or injury to Varian employees as well as to any third party occurring as a result of exposure to toxic or hazardous materials present in the product.

Do not write below this line

Notification (RA)#: ..... Customer ID#: ..... Equipment #: .....

**FAILURE REPORT**

**TURBO PUMPS and TURBOCONTROLLERS**

<input type="checkbox"/> Does not start <input type="checkbox"/> Does not spin freely <input type="checkbox"/> Does not reach full speed <input type="checkbox"/> Mechanical Contact <input type="checkbox"/> Cooling defective	<input type="checkbox"/> Noise <input type="checkbox"/> Vibrations <input type="checkbox"/> Leak <input type="checkbox"/> Overtemperature	<b>POSITION</b> <input type="checkbox"/> Vertical <input type="checkbox"/> Horizontal <input type="checkbox"/> Upside-down <input type="checkbox"/> Other: .....	<b>PARAMETERS</b> Power:                      Rotational Speed: Current:                    Inlet Pressure: Temp 1:                      Foreline Pressure: Temp 2:                      Purge flow:
<b>TURBOCONTROLLER ERROR MESSAGE:</b>			OPERATION TIME:

**ION PUMPS/CONTROLLERS**

<input type="checkbox"/> Bad feedthrough <input type="checkbox"/> Vacuum leak <input type="checkbox"/> Error code on display	<input type="checkbox"/> Poor vacuum <input type="checkbox"/> High voltage problem <input type="checkbox"/> Other
Customer application:	

**VALVES/COMPONENTS**

<input type="checkbox"/> Main seal leak <input type="checkbox"/> Solenoid failure <input type="checkbox"/> Damaged sealing area	<input type="checkbox"/> Bellows leak <input type="checkbox"/> Damaged flange <input type="checkbox"/> Other
Customer application:	

**LEAK DETECTORS**

<input type="checkbox"/> Cannot calibrate <input type="checkbox"/> Vacuum system unstable <input type="checkbox"/> Failed to start	<input type="checkbox"/> No zero/high background <input type="checkbox"/> Cannot reach test mode <input type="checkbox"/> Other
Customer application:	

**INSTRUMENTS**

<input type="checkbox"/> Gauge tube not working <input type="checkbox"/> Communication failure <input type="checkbox"/> Error code on display	<input type="checkbox"/> Display problem <input type="checkbox"/> Degas not working <input type="checkbox"/> Other
Customer application:	

**PRIMARY PUMPS**

<input type="checkbox"/> Pump doesn't start <input type="checkbox"/> Doesn't reach vacuum <input type="checkbox"/> Pump seized	<input type="checkbox"/> Noisy pump (describe) <input type="checkbox"/> Over temperature <input type="checkbox"/> Other
Customer application:	

**DIFFUSION PUMPS**

<input type="checkbox"/> Heater failure <input type="checkbox"/> Doesn't reach vacuum <input type="checkbox"/> Vacuum leak	<input type="checkbox"/> Electrical problem <input type="checkbox"/> Cooling coil damage <input type="checkbox"/> Other
Customer application:	

**FAILURE DESCRIPTION**

(Please describe in detail the nature of the malfunction to assist us in performing failure analysis):

**NOTA:** Su richiesta questo documento è disponibile anche in Tedesco, Italiano e Francese.  
**REMARQUE :** Sur demande ce document est également disponible en allemand, italien et français.  
**HINWEIS:** Auf Anfrage ist diese Unterlage auch auf Deutsch, Italienisch und Französisch erhältlich.



## Sales and Service Offices

### **Argentina** **Varian Argentina Ltd.**

Sucursal Argentina  
Av. Ricardo Balbin 2316  
1428 Buenos Aires  
Argentina  
Tel: (54) 1 783 5306  
Fax: (54) 1 786 5172

### **Australia** **Varian Australia Pty Ltd.**

679-701 Springvale Road  
Mulgrave, Victoria ZZ 3170  
Australia  
Tel: (61) 395607133  
Fax: (61) 395607950

### **Benelux** **Varian Vacuum Technologies**

Rijksstraatweg 269 H,  
3956 CP Leersum  
The Netherlands  
Tel: (31) 343 469910  
Fax: (31) 343 469961

### **Brazil** **Varian Industria e Comercio Ltda.**

Avenida Dr. Cardoso de Mello 1644  
Vila Olimpia  
Sao Paulo 04548 005  
Brazil  
Tel: (55) 11 3845 0444  
Fax: (55) 11 3845 9350

### **Canada** **Central coordination through:**

Varian Vacuum Technologies  
121 Hartwell Avenue  
Lexington, MA 02421  
USA  
Tel: (781) 861 7200  
Fax: (781) 860 5437  
Toll Free: (800) 882 7426

### **China** **Varian Technologies - Beijing**

Room 1201, Jinyu Mansion  
No. 129A, Xuanwumen Xidajie  
Xicheng District  
Beijing 1000031 P.R. China  
Tel: (86) 10 6608 1530  
Fax: (86) 10 6608 1534

### **France and Wallonie** **Varian s.a.**

7 avenue des Tropiques  
Z.A. de Courtaboeuf – B.P. 12  
Les Ulis cedex (Orsay) 91941  
France  
Tel: (33) 1 69 86 38 13  
Fax: (33) 1 69 28 23 08

### **Germany and Austria** **Varian Deutschland GmbH**

Alsfelder Strasse 6  
Postfach 11 14 35  
64289 Darmstadt  
Germany  
Tel: (49) 6151 703 353  
Fax: (49) 6151 703 302

### **India** **Varian India PVT LTD**

101-108, 1st Floor  
1010 Competent House  
7, Nangal Raya Business Centre  
New Delhi 110 046  
India  
Tel: (91) 11 5548444  
Fax: (91) 11 5548445

### **Italy** **Varian Vacuum Technologies**

Via F.lli Varian, 54  
10040 Leini, (Torino)  
Italy  
Tel: (39) 011 997 9111  
Fax: (39) 011 997 9350

### **Japan** **Varian Vacuum Technologies**

Sumitomo Shibaura Building, 8th Floor  
4-16-36 Shibaura  
Minato-ku, Tokyo 108  
Japan  
Tel: (81) 3 5232 1253  
Fax: (81) 3 5232 1263

### **Korea** **Varian Technologies Korea, Ltd.**

Shinsa 2nd Bldg. 2F  
966-5 Daechi-dong  
Kangnam-gu, Seoul  
Korea 135-280  
Tel: (82) 2 3452 2452  
Fax: (82) 2 3452 2451

### **Mexico** **Varian S.A.**

Concepcion Beistegui No 109  
Col Del Valle  
C.P. 03100  
Mexico, D.F.  
Tel: (52) 5 523 9465  
Fax: (52) 5 523 9472

### **Taiwan** **Varian Technologies Asia Ltd.**

18F-13 No.79, Hsin Tai Wu Road  
Sec. 1, Hsi Chih  
Taipei Hsien  
Taiwan, R.O.C.  
Tel: (886) 2 2698 9555  
Fax: (886) 2 2698 9678

### **UK and Ireland** **Varian Ltd.**

28 Manor Road  
Walton-On-Thames  
Surrey KT 12 2QF  
England  
Tel: (44) 1932 89 8000  
Fax: (44) 1932 22 8769

### **United States** **Varian Vacuum Technologies**

121 Hartwell Avenue  
Lexington, MA 02421  
USA  
Tel: (781) 861 7200  
Fax: (781) 860 5437  
Toll Free: (800) 882 7426

### **Other Countries** **Varian Vacuum Technologies**

Via F.lli Varian, 54  
10040 Leini, (Torino)  
Italy  
Tel: (39) 011 997 9111  
Fax: (39) 011 997 9350

### **Internet Users:**

**Customer Service & Technical Support:**  
[vtt.customer.service@varianinc.com](mailto:vtt.customer.service@varianinc.com)

**Worldwide Web Site:**  
[www.varianinc.com/vacuum](http://www.varianinc.com/vacuum)

**Order On-line:**  
[www.evarian.com](http://www.evarian.com)

Representatives in most countries



**VARIAN**