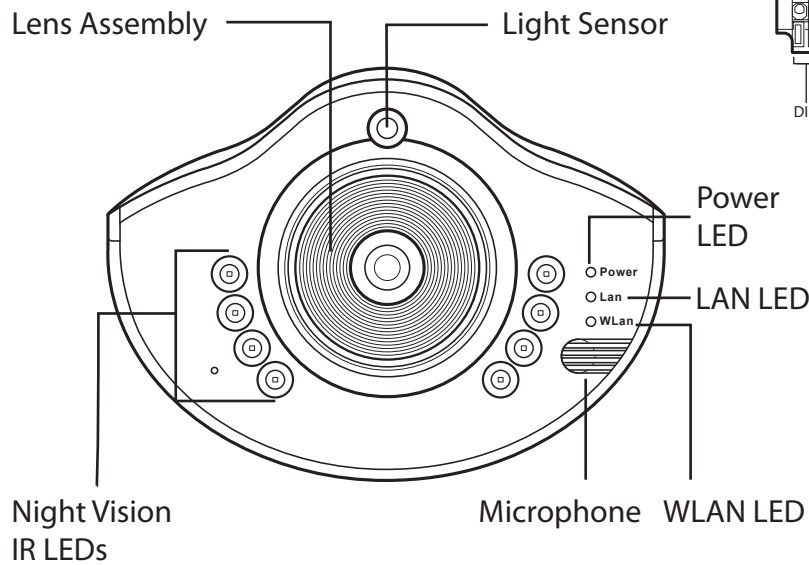
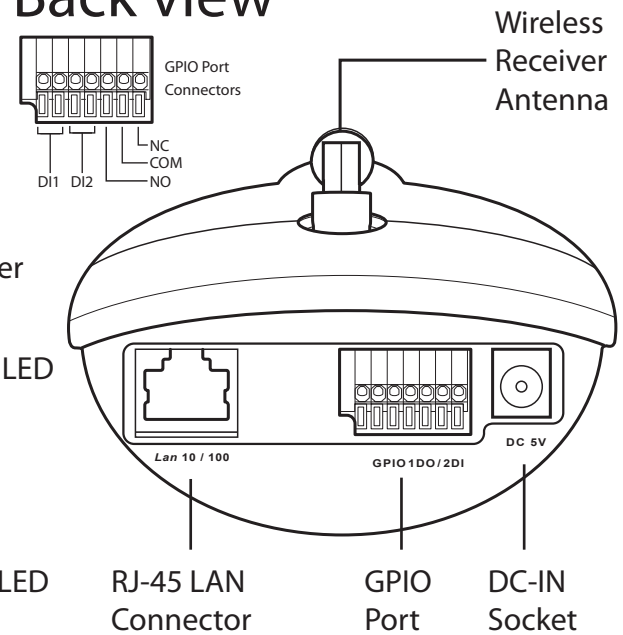


# IP Camera Quick Start Guide

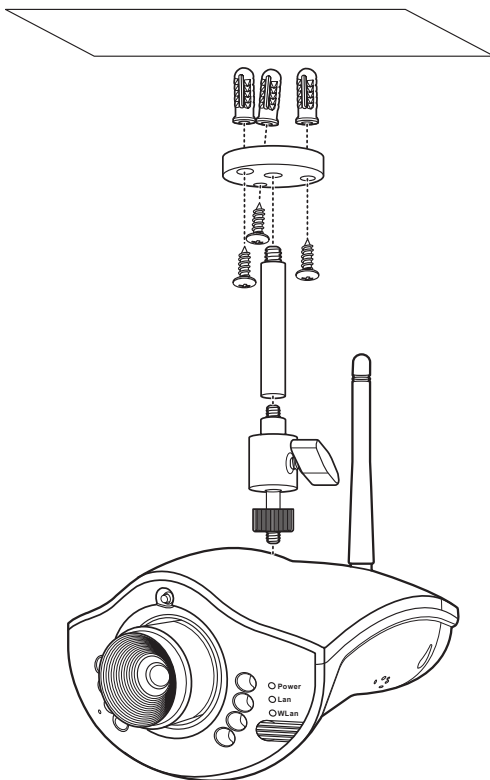
## Front view



## Back view

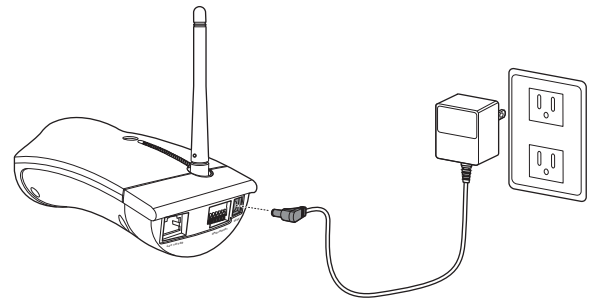


## Mounting



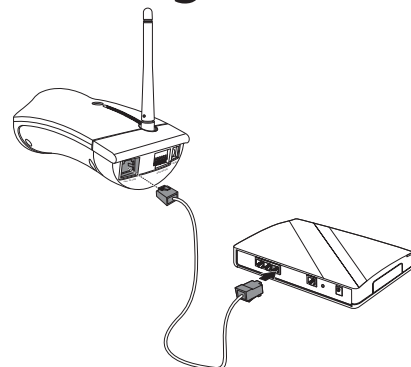
Assemble the camera mount as shown and fix it to a stable surface using the screws and plugs provided. Do not mount the camera outside or anywhere that could expose it to water.

## Connecting power



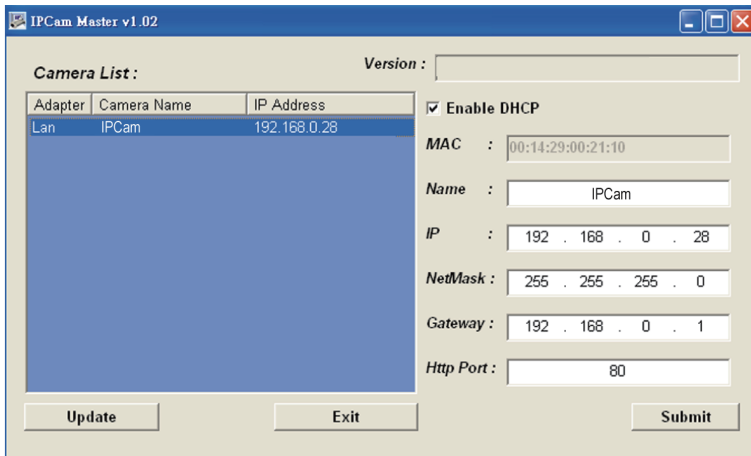
Connect the power adapter to the DC-IN socket on the camera as shown.

## Connecting to a network



Connect the camera to your network hub using a network cable as shown.

# IPCam Master



Use the supplied IPCam Master software to find the IP camera on a network and configure basic settings.

Before connecting the camera to a network, you will need to connect it directly to a host computer and run IPCam Master to set an IP address and other network settings.

See the user manual for more details about how to use the IPCam Master software.

## Using the Browser

You can view the IP camera output using a standard web browser.

Enter the camera IP address in the browser address bar to connect to the camera.

Address

## Viewing - The Main Screen



When logged in you can view images and configure the camera. See the user manual for more detailed information on each function.

Note: The motion indicators flash red and blue alternately when motion is detected.