

***Turbo-V
Vent Device***

Model 969-9831

INSTRUCTION MANUAL

Turbo-V Vent Device



VARIAN



vacuum technologies

Dear Customer,

Thank you for purchasing a VARIAN vacuum product. At VARIAN Vacuum Technologies we make every effort to ensure that you will be satisfied with the product and/or service you have purchased.

As part of our Continuous Improvement effort, we ask that you report to us any problem you may have had with the purchase or operation of our product. On the back side you find a Corrective Action Request form that you may fill out in the first part and return to us.

This form is intended to supplement normal lines of communications and to resolve problems that existing systems are not addressing in an adequate or timely manner.

Upon receipt of your Corrective Action Request we will determine the Root Cause of the problem and take the necessary actions to eliminate it. You will be contacted by one of our employees who will review the problem with you and update you, with the second part of the same form, on our actions.

Your business is very important to us. Please, take the time and let us know how we can improve.

Sincerely,

Sergio PIRAS

*Vice President and General Manager
VARIAN Vacuum Technologies*

Note: Fax or mail the Customer Request for Action (see backside page) to VARIAN Vacuum Technologies (Torino) - Quality Assurance or to your nearest VARIAN representative for onward transmission to the same address.

CUSTOMER REQUEST FOR CORRECTIVE / PREVENTIVE / IMPROVEMENT ACTION

TO : VARIAN VACUUM TECHNOLOGIES TORINO - QUALITY ASSURANCE

FAX N° : XXXX - 011 - 9979350

ADDRESS: VARIAN S.p.A. - Via F.lli Varian, 54 - 10040 Leinì (Torino) - Italy

E-MAIL : marco.marzio@varianinc.com

NAME _____	COMPANY _____	FUNCTION _____
<p>ADDRESS : _____</p> <p>TEL. N° : _____ FAX N° : _____</p> <p>E-MAIL : _____</p>		
<p>PROBLEM / SUGGESTION :</p> <p>_____</p> <p>_____</p> <p>_____</p> <p>_____</p>		
<p>REFERENCE INFORMATION (model n°, serial n°, ordering information, time to failure after installation, etc.) :</p> <p>_____</p> <p>_____</p> <p>_____</p> <p style="text-align: right;">DATE _____</p>		

<p>CORRECTIVE ACTION PLAN / ACTUATION (by VARIAN VTT)</p> <p>_____</p> <p>_____</p> <p>_____</p> <p>_____</p> <p>_____</p>	<p>LOG N° _____</p>
--	---------------------

XXXX = Code for dialing Italy from your country (es. 01139 from USA; 00139 from Japan, etc.)



INSTRUCTION FOR USE	1
TECHNICAL INFORMATION	2
GENERAL	2
<i>Vent Control Unit</i>	2
<i>Vent Valve</i>	2
VENT DEVICE SPECIFICATIONS	3
<i>Control Unit</i>	3
<i>Vent Valve</i>	3
TURBO-V VENT DEVICE OUTLINE	3
CONTROL UNIT INSTALLATION	4
VENT VALVE INSTALLATION	4
OPERATION	4
TIME SETTING	5
VENT CONTROL UNIT DESCRIPTION	6
<i>Power Circuit</i>	6
<i>Protection Circuit</i>	6
<i>Timer Circuit</i>	6
TURBO-V VENT DEVICE REPLACEMENT PARTS	7

GENERAL INFORMATION

Operators and service personnel must be aware of all hazards associated with this equipment. They must know how to recognize hazardous and potentially hazardous conditions, and know how to avoid them. The consequences of unskilled, improper, or careless operation of the equipment can be serious.

This product must only be operated and maintained by trained personnel. Every operator or service person must read and thoroughly understand operation/maintenance manuals and any additional information provided by Varian.

All warnings and cautions should be read carefully and strictly observed. Address any safety, operation, and/or maintenance questions to your nearest Varian office.

The following format is used in this manual to call attention to hazards:



WARNING!

Warnings are used when failure to observe instructions or precautions could result in injury or death.



CAUTION

Warning Cautions are used when failure to observe instructions could result in damage to equipment, whether Varian supplied or other associated equipment.

NOTE

Information to aid the operator in obtaining the best performance from the equipment.

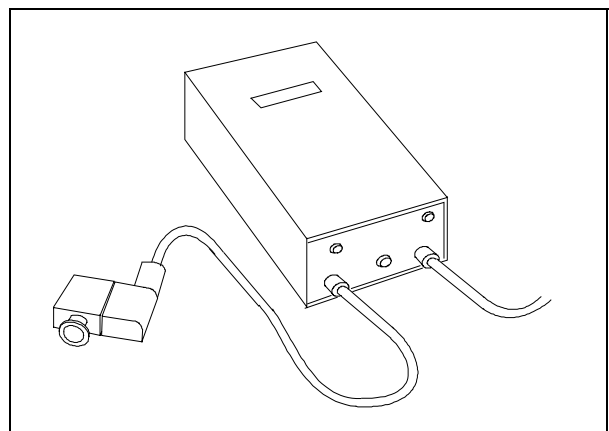
TURBO-V VENT DEVICE DESCRIPTION

The 969-9831 Turbo-V vent device, consisting of a vent control unit and a vent valve, is a complete unit suitable for automatic venting of the Turbo-V pump when it is switched off or during a power failure switch (refer to the following figure).

The Vent device is powered by the Turbo-V controller and a battery back-up capability is built in.

The vent control unit is provided with a delay time to avoid undesired venting during a temporary power failure and to allow closure of the system valves before venting. A second setting is also provided to control the venting time to atmosphere.

The Turbo-V pump must be vented when it is shut down to prevent the forepump oil from contaminating the Turbo-V and the connected chamber.



Vent Valve and Control Unit

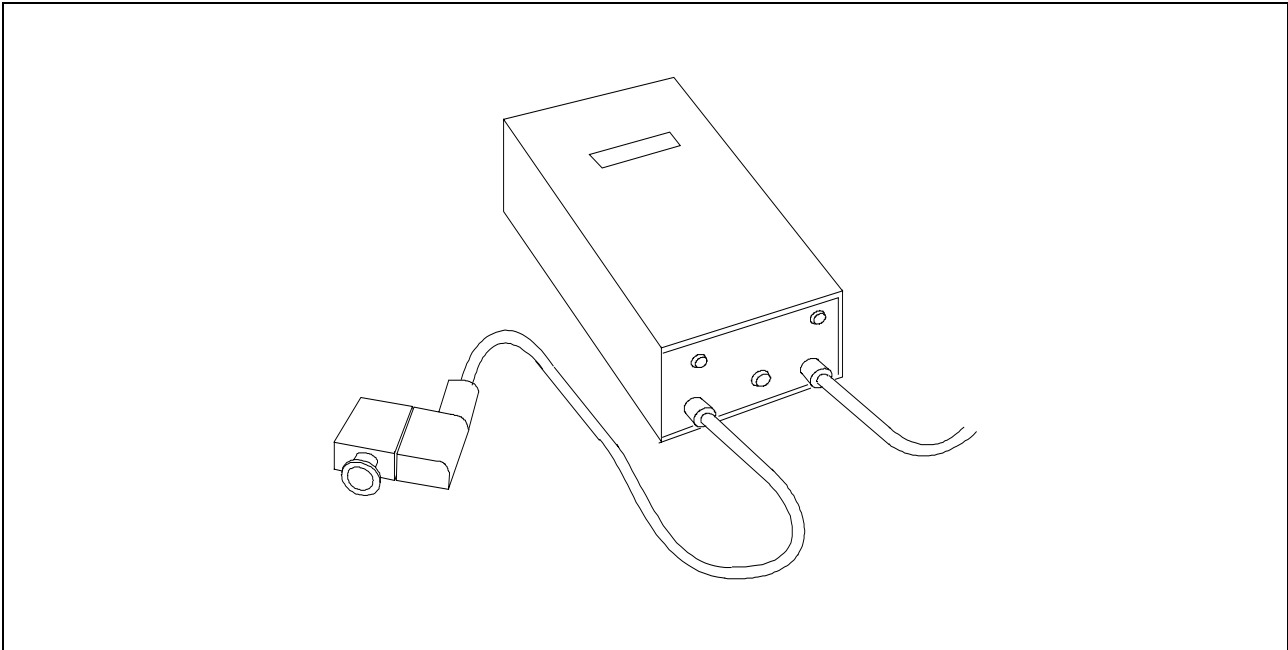
The 969-9831 Turbo-V vent device consists of:

- 03-660270 vent control unit
- 03-661835-02 vent valve

GENERAL

The 969-9831 Turbo-V vent device, consisting of a vent control unit and a vent valve, is a complete unit suitable for automatic venting of the Turbo-V pump when it is switched off or during a power failure switch (refer to the following figure).

The Vent device is powered by the Turbo-V controller and a battery back-up capability is built in.



Vent Valve and Control Unit

The 969-9831 Turbo-V vent device consists of:

- 03-660270 vent control unit
- 03-661835-02 vent valve

Vent Control Unit

The vent control unit is powered by the Turbo-V controller (120 Vac, 50/60 Hz) via the power interconnecting connector. The vent control unit is provided with 4 rubber feet at the bottom and it is not suitable for rack mounting. Two LEDs indicate when the mains is supplied (yellow LED) and when the valve is open (red LED).

When the supply voltage is present (Turbo-V pump ON), relay RL1 allows the integral battery to be recharged, then the timer circuits are inhibited and reset. When the Turbo-V is shut off, RL1 still remains energized and the delay timer counter starts.

After the pre-set delay time, the valve opens and the venting time count starts. At the end of the venting time, relay RL1 de-energizes and the battery is disconnected. The battery is protected against short circuits.

Depth of discharge and the charging cycle are a function ambient temperature. At high temperatures the battery capacity increases while it decreases at low temperatures.

Vent Valve

The vent valve consists of a small normally-closed straight through, electromagnetically-actuated and viton-sealed valve with an NW 10 KF flange on the high vacuum port and a filter or adapter tube 1/4" on the air entrance port. The valve closes under control of a metallic spring and opens when power is supplied to the valve electromagnet.

NOTE

A riffled nozzle is provided for use in lieu of the sintered filter when the Turbo-V pump is vented by the dry gas bottle (line).

VENT DEVICE SPECIFICATIONS

Control Unit

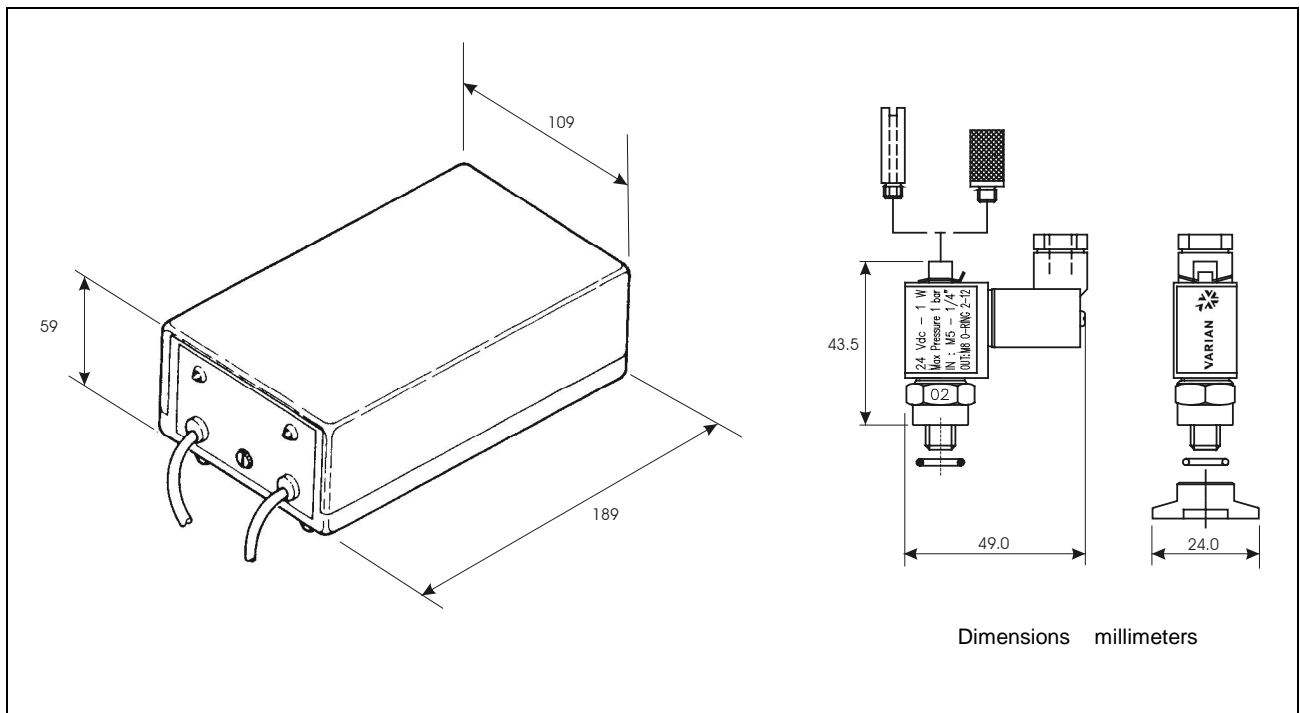
Input: voltage	120 V ±10%
frequency	50 to 60 Hz
power	8 VA
fuse	T315 (mA)
Output: voltage	22.5 Vdc ±3%
power (max)	1.2 W
Delay time	Factory set to 15 seconds (adjustable up to 36 minutes)
Venting time	Factory set to 3 minutes (adjustable up to 36 minutes)
Operating temperature	0 to 40 °C (32 °F to 104 °F)
Storage temperature	-20 °C to + 50 °C (-4 °F to +122 °F)
Connecting cables	
Input line	1.5 metres long, two-conductor wire
Output to valve	5 metres long, two conductor wire
Weight	1.3 Kg (2.9 lbs)

Vent Valve

High vacuum flange	NW 10 KF
Gas entrance	Riffled nozzle 4.8 mm (0.19") O.D./Tube 1/4"
Orifice size	1.2 mm (0.05")
Pressure range	10 ⁻⁶ mbar to 1bar (10 ⁻⁷ Torr to atm)
Leak rate	1x10 ⁻⁷ mbar l/s
Life cycle	One million cycles
Input: voltage	24 Vdc +10% -5%
power	1 W
Bakeout temperature	60 °C (140 °F)
Mounting position	Any
Weight	120 gr (0.27 lbs)

TURBO-V VENT DEVICE OUTLINE

The outline dimensions for the Turbo-V Vent Device are shown in the following figure.



Turbo-V Vent Device Outline

CONTROL UNIT INSTALLATION

Place the control unit free standing near the Turbo-V controller and connect the 1.5 metres long supply cable to the power interconnecting connector (120 Vac vent valve out, see the relevant Turbo-V controller instruction manual). Connect the 5 metres long valve cable to the valve connector ensuring that the positive lead (brown) is connected to pin 2 and the negative lead (blue) to pin 1.

NOTE

When first installed or after 6 months of non-use, leave the control unit under voltage for at least 3 hours in order to fully recharge the battery before use.

VENT VALVE INSTALLATION

Connect the NW 10 KF port to the chamber or pump vent port. This port is compatible with an NW 16 KF flange having an adaptive centering ring.

NOTE

Use the provided filter to prevent the ingress of dust, dirt or contaminants, when the pump is vented to atmosphere.



CAUTION

When a dry gas bottle (line) is used, never exceed 1 bar (15 psig) to the riffled nozzle connection, otherwise a leak in the Turbo-V pump may occur.



CAUTION

When a dry gas bottle line is used, check the correct venting time to prevent overpressuring the Turbo-V pump.



CAUTION

It is strongly recommended to power the vent unit using the 120 Vac terminal available on the Turbo-V controller rear panel. This will ensure that it is correctly sequenced.

NOTE

The Turbo-V vent device has been designed to vent the Turbo-V pump only. To vent the chamber, it is advisable to install a suitable vent valve.

OPERATION

When the Turbo-V pump starts, the yellow LED lights, indicating that the battery is being charged and the set timers are reset. If the pump is switched off or a power failure occurs, the yellow LED goes off and the delay time starts. At the end of delay, the valve (red) LED lights and the valve opens for the set time. At the end of the venting time the valve closes, the valve (red) LED goes off, and the battery is switched off. If during the delay or venting time the Turbo-V pump is switched on (even if only for a few seconds) both delay and venting time are reset.

NOTE

A charged battery is able to supply a minimum of 3 complete venting cycles with the maximum delay and venting time.



CAUTION

The life of the battery is affected by ambient temperature. Never exceed the specified operating temperature and replace the battery every 30 months.

TIME SETTING



WARNING!

High voltage present in the control unit can cause severe injury or death. Service must be carried out only by qualified and authorized personnel.

Disconnect the vent controller from the power interconnecting connector on the Turbo-V controller and remove the top cover of the vent control unit by undoing the four bottom screws.

Choose the appropriate times, make the appropriate jumper setting and position the rotary switch (refer to the following figure). Place only one jumper for each time and then turn the rotary switch multiplier for the desired value.

E.g: to set a delay time of 30 seconds and a venting time of 4 minutes proceed as follows:

- Adjust the delay time rotary switch to 8 and place the jumper across 1/16 minute.
- Adjust the venting time rotary switch to 8 and place the jumper across 1/2 minute.

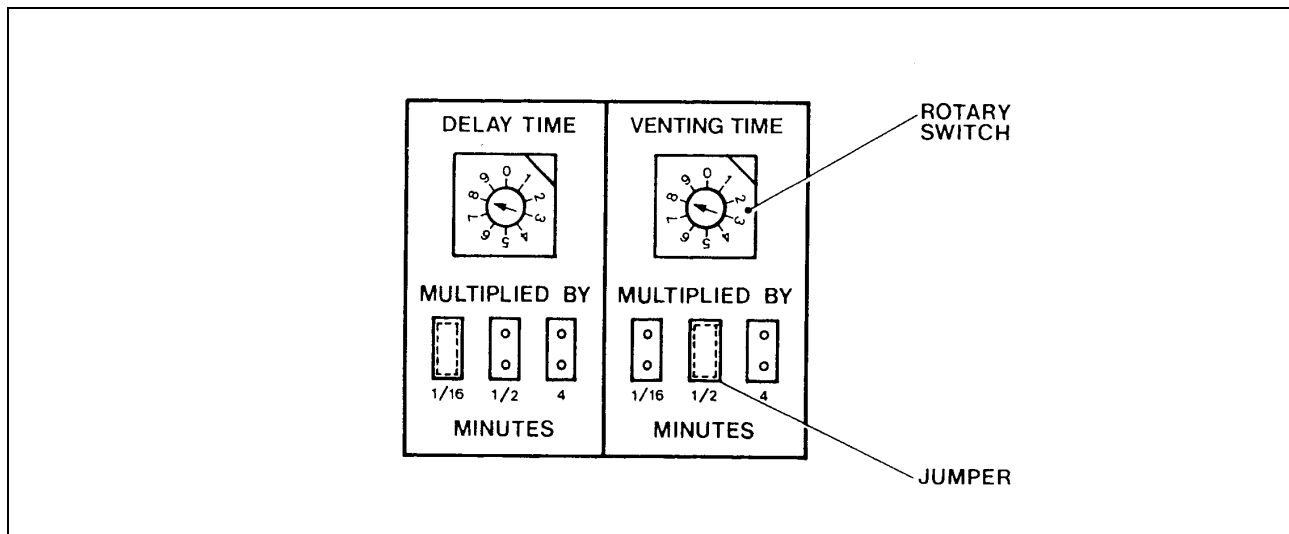
CAUTION

Use the appropriate tool to adjust the time settings to avoid damages to the rotary switches.

The minimum venting times for each Turbo-V pump series with the high vacuum flange blanked off and leak tight, are listed below.

- Turbo-V 60/80 2/16 minute
- Turbo-V 200/250 3/6 minute
- Turbo-V 300 4/16 minute
- Turbo-V 450 7/16 minute
- Turbo-V 1000 0.5 minute
- Turbo-V 1800 1 minute
- Turbo-V 3500 1.5 minutes
- Turbo-V 6000 4 minutes

The minimum venting time is the time needed to reach a pressure of about 500 mbar (375 Torr) inside the pump in order to avoid mechanical pump oil backstreaming and contamination of the Turbo-V pump.



Times Selector

VENT CONTROL UNIT DESCRIPTION

The control unit has three main sections: power circuit, protection circuit, and time circuit (refer to following figure).

Power Circuit

The mains voltage is stepped down to 12 Vac, which is rectified by the full wave bridge rectifier smoothed by capacitor C1 and regulated by U8.

The output voltage of U8 is adjusted by P3 to 6.9 V and feeds the battery timer circuit, and U7 which steps up the voltage at 23 V. The output of U7 adjusted by P2 drives the vent valve.

Protection Circuit

If the leads are shorted together or the vent valve coil is shorted, transistor Q2 detects the condition and drives Q1 to deenergize relay RL1 and consequently the battery is disconnected.

To avoid complete discharge of the battery, a sensor circuit is provided. When the battery voltage reaches 4.5 V, transistor Q4 is cut off.

Subsequently, relay RL1 deenergizes and the battery is disconnected.

Even though the battery is designed to accept overcharging, to avoid thermal runaway problems caused by overcharging, diodes D7 and D9 are provided. This circuit allows an automatic adjustment of the charging voltage in relation to the environment temperature.

Timer Circuit

Two similar timer circuits are provided, where U5, U4 are the clocks and U3, U2 are the step-down counters presettable by jumpers and rotary switches.

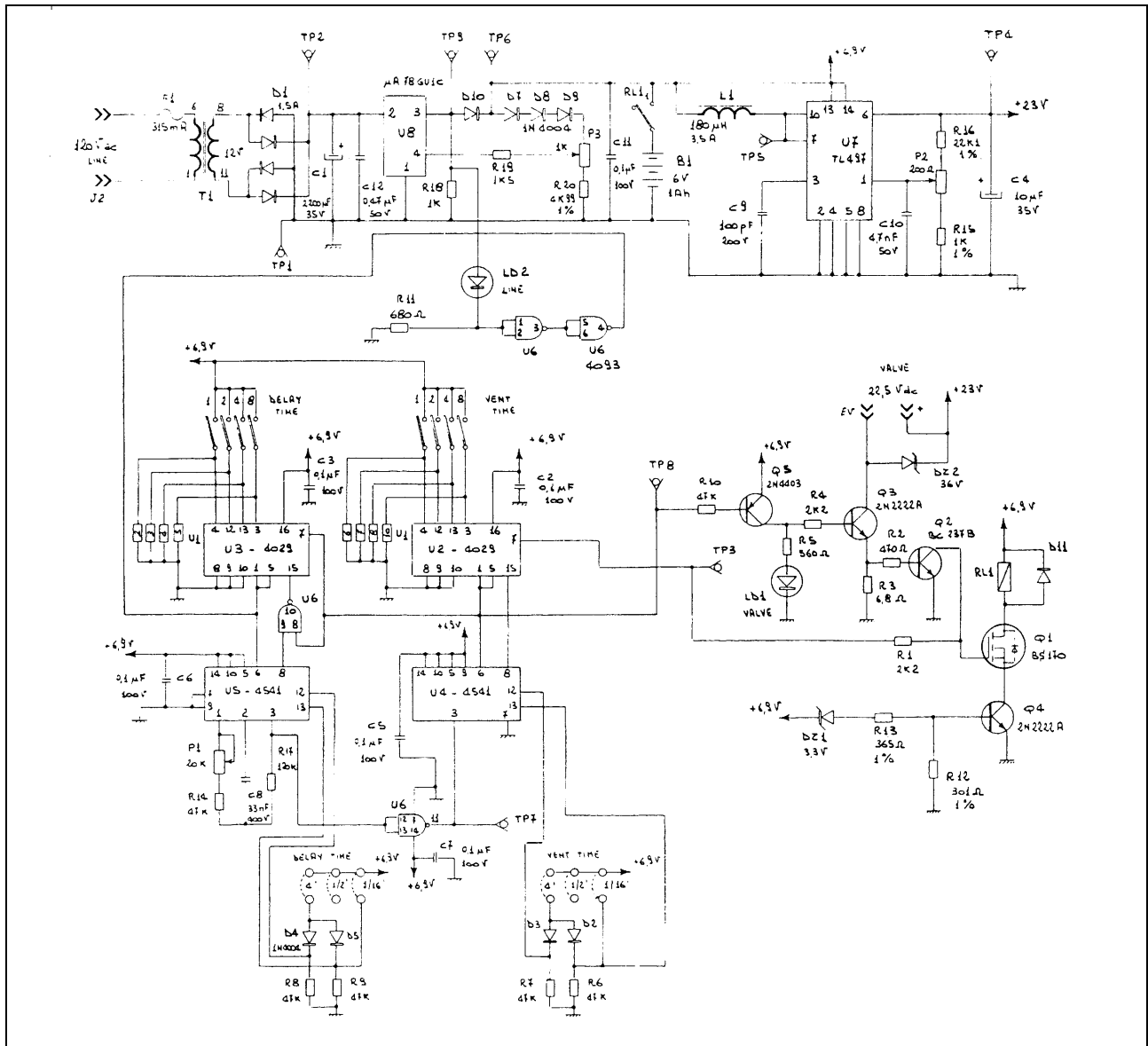
When the mains voltage is supplied, the step-down counter U3 is inhibited by a high preset enable signal at pin 1 and U5 is reset by a positive pulse at pin 6 (master reset).

When mains is switched off, U3 starts to count down and at the end of delay removes the enable signal from pin 1 of U2 that starts the venting time and allows the vent valve to open.

TURBO-V VENT DEVICE REPLACEMENT PARTS

DESCRIPTION	PART NUMBER
Vent valve (complete)	03-661718-02
Gas filter	28-900008-01
Battery 6 V 1Ah	74-103100-01
Relay 6V	72-114110-01
Transformer T1 (120/12V, 8VA)	03-660295
L.E.D. (yellow) LT4223	67-560005
L.E.D. (red) LT4253	67-560004

For a complete overview of Varian's extensive vacuum product line, please refer to the Varian Vacuum Catalogue.



Turbo-V Vent Control Unit Schematic Diagram



Request for Return



1. A Return Authorization Number (RA#) **WILL NOT** be issued until this Request for Return is completely filled out, signed and returned to Varian Customer Service.
2. Return shipments shall be made in compliance with local and international **Shipping Regulations** (IATA, DOT, UN).
3. The customer is expected to take the following actions to ensure the **Safety** of workers at Varian: (a) Drain any oils or other liquids, (b) Purge or flush all gasses, (c) Wipe off any excess residues in or on the equipment, (d) Package the equipment to prevent shipping damage, (for Advance Exchanges please use packing material from replacement unit).
4. Make sure the shipping documents clearly show the RA# and then return the package to the Varian location nearest you.

North and South America

Varian Vacuum Technologies
 121 Hartwell Ave
 Lexington, MA 02421
 Phone : +1 781 8617200
 Fax: +1 781 8609252

Europe and Middle East

Varian SpA
 Via Flli Varian 54
 10040 Leini (TO) – ITALY
 Phone: +39 011 9979111
 Fax: +39 011 9979330

Asia and ROW

Varian Vacuum Technologies
 Local Office

CUSTOMER INFORMATION

Company name:	
Contact person: Name:	Tel:
Fax:	E-Mail:
Ship Method:	Shipping Collect #: P.O.#:
<u>Europe only:</u> VAT reg. Number:	<u>USA only:</u> <input type="checkbox"/> Taxable <input type="checkbox"/> Non-taxable
Customer Ship To:	Customer Bill To:
.....
.....

PRODUCT IDENTIFICATION

Product Description	Varian P/N	Varian S/N	Purchase Reference

TYPE OF RETURN (check appropriate box)

<input type="checkbox"/> Paid Exchange	<input type="checkbox"/> Paid Repair	<input type="checkbox"/> Warranty Exchange	<input type="checkbox"/> Warranty Repair	<input type="checkbox"/> Loaner Return
<input type="checkbox"/> Credit	<input type="checkbox"/> Shipping Error	<input type="checkbox"/> Evaluation Return	<input type="checkbox"/> Calibration	<input type="checkbox"/> Other

HEALTH and SAFETY CERTIFICATION

Varian Vacuum Technologies **CAN NOT ACCEPT** any equipment which contains **BIOLOGICAL HAZARDS** or **RADIOACTIVITY**. Call Varian Customer Service to discuss alternatives if this requirement presents a problem.

The equipment listed above (check one):

HAS NOT been exposed to any toxic or hazardous materials

OR

HAS been exposed to any toxic or hazardous materials. In case of this selection, check boxes for any materials that equipment was exposed to, check all categories that apply:

Toxic Corrosive Reactive Flammable Explosive Biological Radioactive

List all toxic or hazardous materials. Include product name, chemical name and chemical symbol or formula.

.....

Print Name: Customer Authorized Signature:

Print Title: Date:/...../.....

NOTE: If a product is received at Varian which is contaminated with a toxic or hazardous material that was not disclosed, **the customer will be held responsible** for all costs incurred to ensure the safe handling of the product, and **is liable** for any harm or injury to Varian employees as well as to any third party occurring as a result of exposure to toxic or hazardous materials present in the product.

Do not write below this line

Notification (RA)#: Customer ID#: Equipment #:

FAILURE REPORT

TURBO PUMPS and TURBOCONTROLLERS

<input type="checkbox"/> Does not start <input type="checkbox"/> Does not spin freely <input type="checkbox"/> Does not reach full speed <input type="checkbox"/> Mechanical Contact <input type="checkbox"/> Cooling defective	<input type="checkbox"/> Noise <input type="checkbox"/> Vibrations <input type="checkbox"/> Leak <input type="checkbox"/> Overtemperature	POSITION <input type="checkbox"/> Vertical <input type="checkbox"/> Horizontal <input type="checkbox"/> Upside-down <input type="checkbox"/> Other:	PARAMETERS Power: Rotational Speed: Current: Inlet Pressure: Temp 1: Foreline Pressure: Temp 2: Purge flow:
TURBOCONTROLLER ERROR MESSAGE:			OPERATION TIME:

ION PUMPS/CONTROLLERS

<input type="checkbox"/> Bad feedthrough <input type="checkbox"/> Vacuum leak <input type="checkbox"/> Error code on display	<input type="checkbox"/> Poor vacuum <input type="checkbox"/> High voltage problem <input type="checkbox"/> Other
Customer application:	

VALVES/COMPONENTS

<input type="checkbox"/> Main seal leak <input type="checkbox"/> Solenoid failure <input type="checkbox"/> Damaged sealing area	<input type="checkbox"/> Bellows leak <input type="checkbox"/> Damaged flange <input type="checkbox"/> Other
Customer application:	

LEAK DETECTORS

<input type="checkbox"/> Cannot calibrate <input type="checkbox"/> Vacuum system unstable <input type="checkbox"/> Failed to start	<input type="checkbox"/> No zero/high background <input type="checkbox"/> Cannot reach test mode <input type="checkbox"/> Other
Customer application:	

INSTRUMENTS

<input type="checkbox"/> Gauge tube not working <input type="checkbox"/> Communication failure <input type="checkbox"/> Error code on display	<input type="checkbox"/> Display problem <input type="checkbox"/> Degas not working <input type="checkbox"/> Other
Customer application:	

PRIMARY PUMPS

<input type="checkbox"/> Pump doesn't start <input type="checkbox"/> Doesn't reach vacuum <input type="checkbox"/> Pump seized	<input type="checkbox"/> Noisy pump (describe) <input type="checkbox"/> Over temperature <input type="checkbox"/> Other
Customer application:	

DIFFUSION PUMPS

<input type="checkbox"/> Heater failure <input type="checkbox"/> Doesn't reach vacuum <input type="checkbox"/> Vacuum leak	<input type="checkbox"/> Electrical problem <input type="checkbox"/> Cooling coil damage <input type="checkbox"/> Other
Customer application:	

FAILURE DESCRIPTION

(Please describe in detail the nature of the malfunction to assist us in performing failure analysis):

NOTA: Su richiesta questo documento è disponibile anche in Tedesco, Italiano e Francese.
REMARQUE : Sur demande ce document est également disponible en allemand, italien et français.
HINWEIS: Auf Anfrage ist diese Unterlage auch auf Deutsch, Italienisch und Französisch erhältlich.

Sales and Service Offices

Argentina

Varian Argentina Ltd.

Sucursal Argentina
Av. Ricardo Balbin 2316
1428 Buenos Aires
Argentina
Tel: (54) 1 783 5306
Fax: (54) 1 786 5172

Australia

Varian Australia Pty Ltd.

679-701 Springvale Road
Mulgrave, Victoria ZZ 3170
Australia
Tel: (61) 395607133
Fax: (61) 395607950

Benelux

Varian Vacuum Technologies

Rijksstraatweg 269 H,
3956 CP Leersum
The Netherlands
Tel: (31) 343 469910
Fax: (31) 343 469961

Brazil

Varian Industria e Comercio Ltda.

Avenida Dr. Cardoso de Mello 1644
Vila Olimpia
Sao Paulo 04548 005
Brazil
Tel: (55) 11 3845 0444
Fax: (55) 11 3845 9350

Canada

Central coordination through:

Varian Vacuum Technologies
121 Hartwell Avenue
Lexington, MA 02421
USA
Tel: (781) 861 7200
Fax: (781) 860 5437
Toll Free: (800) 882 7426

China

Varian Technologies - Beijing

Room 1201, Jinyu Mansion
No. 129A, Xuanwumen Xidajie
Xicheng District
Beijing 1000031 P.R. China
Tel: (86) 10 6608 1530
Fax: (86) 10 6608 1534

France and Wallonie

Varian s.a.

7 avenue des Tropiques
Z.A. de Courtaboeuf – B.P. 12
Les Ulis cedex (Orsay) 91941
France
Tel: (33) 1 69 86 38 13
Fax: (33) 1 69 28 23 08

Germany and Austria

Varian Deutschland GmbH

Alsfelder Strasse 6
Postfach 11 14 35
64289 Darmstadt
Germany
Tel: (49) 6151 703 353
Fax: (49) 6151 703 302

India

Varian India PVT LTD

101-108, 1st Floor
1010 Competent House
7, Nangal Raya Business Centre
New Delhi 110 046
India
Tel: (91) 11 5548444
Fax: (91) 11 5548445

Italy

Varian Vacuum Technologies

Via F.lli Varian, 54
10040 Leini, (Torino)
Italy
Tel: (39) 011 997 9111
Fax: (39) 011 997 9350

Japan

Varian Vacuum Technologies

Sumitomo Shibaura Building, 8th Floor
4-16-36 Shibaura
Minato-ku, Tokyo 108
Japan
Tel: (81) 3 5232 1253
Fax: (81) 3 5232 1263

Korea

Varian Technologies Korea, Ltd.

Shinsa 2nd Bldg. 2F
966-5 Daechi-dong
Kangnam-gu, Seoul
Korea 135-280
Tel: (82) 2 3452 2452
Fax: (82) 2 3452 2451

Mexico

Varian S.A.

Concepcion Beistegui No 109
Col Del Valle
C.P. 03100
Mexico, D.F.
Tel: (52) 5 523 9465
Fax: (52) 5 523 9472

Taiwan

Varian Technologies Asia Ltd.

18F-13 No.79, Hsin Tai Wu Road
Sec. 1, Hsi Chih
Taipei Hsien
Taiwan, R.O.C.
Tel: (886) 2 2698 9555
Fax: (886) 2 2698 9678

UK and Ireland

Varian Ltd.

28 Manor Road
Walton-On-Thames
Surrey KT 12 2QF
England
Tel: (44) 1932 89 8000
Fax: (44) 1932 22 8769

United States

Varian Vacuum Technologies

121 Hartwell Avenue
Lexington, MA 02421
USA
Tel: (781) 861 7200
Fax: (781) 860 5437
Toll Free: (800) 882 7426

Other Countries

Varian Vacuum Technologies

Via F.lli Varian, 54
10040 Leini, (Torino)
Italy
Tel: (39) 011 997 9111
Fax: (39) 011 997 9350

Internet Users:

Customer Service & Technical Support:

vtt.customer.service@varianinc.com

Worldwide Web Site:

www.varianinc.com/vacuum

Order On-line:

www.evarian.com

Representatives in most countries



VARIAN